

SPECIFICATIONS

DESCRIPTION

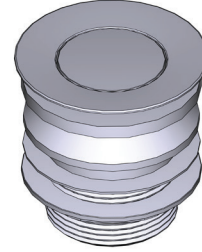
- Flip coin bath waste with integral overflow

STANDARDS

- WMTS 040 (2022)

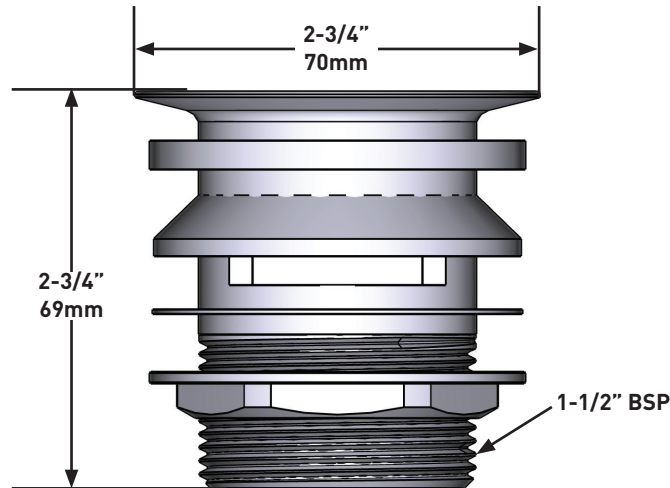
WARRANTY

- Visit www.houseofrohl.uk for more information



Slotted flip plug bath drain

MODELS: K-15



For care and cleaning, product warranty, and additional information contact:

US Customers

U.S.A.
houseofrohl.com/support
1-800-777-9762

Canadian Customers

QUEBEC / MARITIMES / WESTERN CANADA
QUÉBEC / MARITIMES / OUEST CANADIEN
QUEBEC / MARITIMOS / CANADA OCCIDENTAL
houseofrohl.ca/support
1-866-473-8442

ONTARIO
houseofrohl.ca/support
1-800-287-5354

EMEA Customers

UNITED KINGDOM
www.houseofrohl.uk
01952 221100

SPÉCIFICATIONS

DESCRIPTION

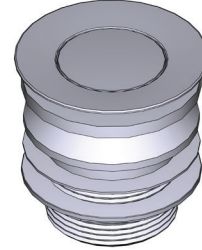
- Vidage pour baignoires avec trou de trop-plein. Bonde affleurante pivotante.

CERTIFICATIONS

- WMTS 040 (2022)

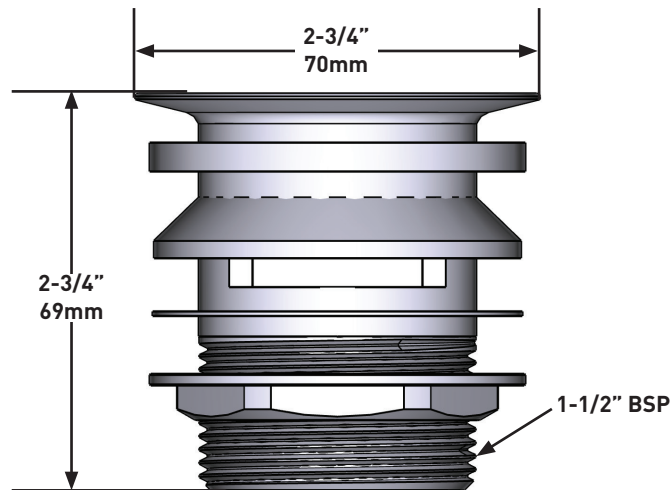
GARANTIE

- Pour davantage d'informations, rendez-vous sur www.houseofrohl.uk



Bonde pour baignoire

MODÈLES : K-15



For care and cleaning, product warranty, and additional information contact:

US Customers

U.S.A.
houseofrohl.com/support
 1-800-777-9762

Canadian Customers

QUEBEC / MARITIMES / WESTERN CANADA
 QUÉBEC / MARITIMES / OUEST CANADIEN
 QUEBEC / MARITIMOS / CANADA OCCIDENTAL
houseofrohl.ca/support
 1-866-473-8442

EMEA Customers

ONTARIO
houseofrohl.ca/support
 1-800-287-5354

UNITED KINGDOM
www.houseofrohl.uk
 01952 221100





TECHNISCHES DATENBLATT

BESCHREIBUNG

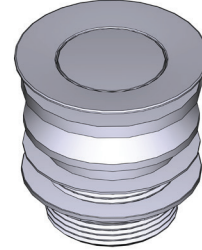
- Push-Open Wannenablauf

NORMEN

- WMTS 040 (2022)

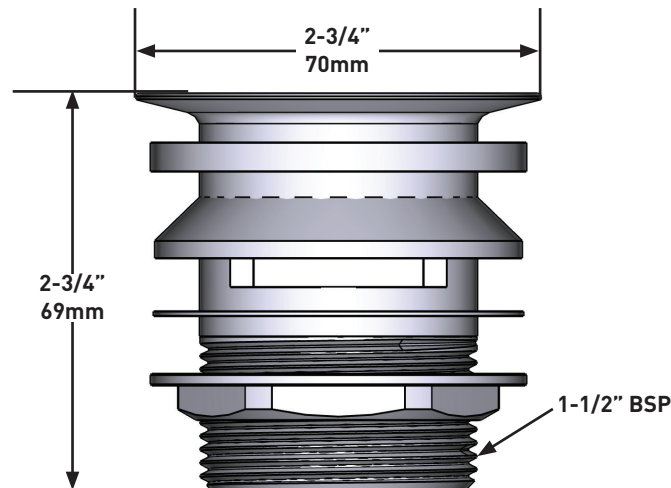
GARANTIE

- Weitere Informationen unter www.houseofrohl.uk



Push-Open Badewannenablauf

MODELLE: K-15



For care and cleaning, product warranty, and additional information contact:

US Customers

U.S.A.
houseofrohl.com/support
 1-800-777-9762

Canadian Customers

QUEBEC / MARITIMES / WESTERN CANADA
 QUÉBEC / MARITIMES / OUEST CANADIEN
 QUEBEC / MARITIMOS / CANADA OCCIDENTAL
houseofrohl.ca/support
 1-866-473-8442

EMEA Customers

UNITED KINGDOM
www.houseofrohl.uk
 01952 221100



SPECIFICHE TECNICHE

DESCRIZIONE

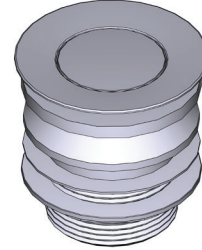
- Scarico a dischetto rotante per vasca con troppopieno integrato

STANDARD

- WMTS 040 (2022)

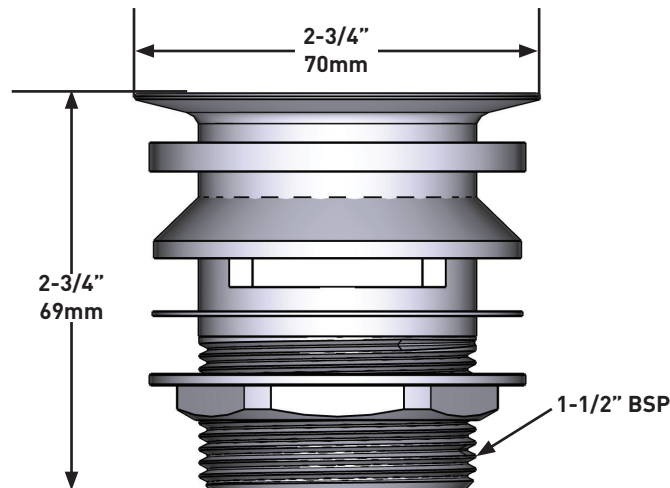
GARANZIA

- Per maggiori informazioni visita www.houseofrohl.uk



Scarico vasca con tappo ribaltabile a fessura

MODELLI: K-15



For care and cleaning, product warranty, and additional information contact:

US Customers

U.S.A.
houseofrohl.com/support
1-800-777-9762

Canadian Customers

QUEBEC / MARITIMES / WESTERN CANADA
QUÉBEC / MARITIMES / OUEST CANADIEN
QUEBEC / MARITIMOS / CANADA OCCIDENTAL
houseofrohl.ca/support
1-866-473-8442

EMEA Customers

ONTARIO
houseofrohl.ca/support
1-800-287-5354

UNITED KINGDOM
www.houseofrohl.uk
01952 221100

ESPECIFICACIONES

DESCRIPCIÓN

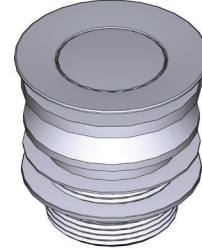
- Vaciador para bañeras con rebosadero. Tapón de desagüe giratorio.

ESTÁNDARES

- WMTS 040 (2022)

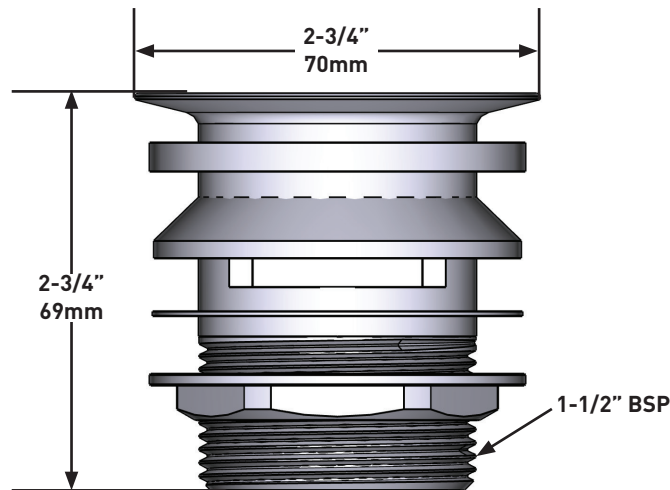
GARANTÍA

- Para más información, visite www.houseofrohl.uk



Desagüe de bañera con tapón giratorio

MODELOS: K-15



For care and cleaning, product warranty, and additional information contact:

US Customers

U.S.A.
houseofrohl.com/support
1-800-777-9762

Canadian Customers

QUEBEC / MARITIMES / WESTERN CANADA
QUÉBEC / MARITIMES / OUEST CANADIEN
QUEBEC / MARITIMOS / CANADA OCCIDENTAL
houseofrohl.ca/support
1-866-473-8442

EMEA Customers

ONTARIO
houseofrohl.ca/support
1-800-287-5354

UNITED KINGDOM
www.houseofrohl.uk
01952 221100

SPECIFICATIES

BESCHRIJVING

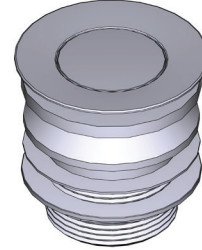
- Badafvoerplug met kantelsluiting

NORMEN

- WMTS 040 (2022)

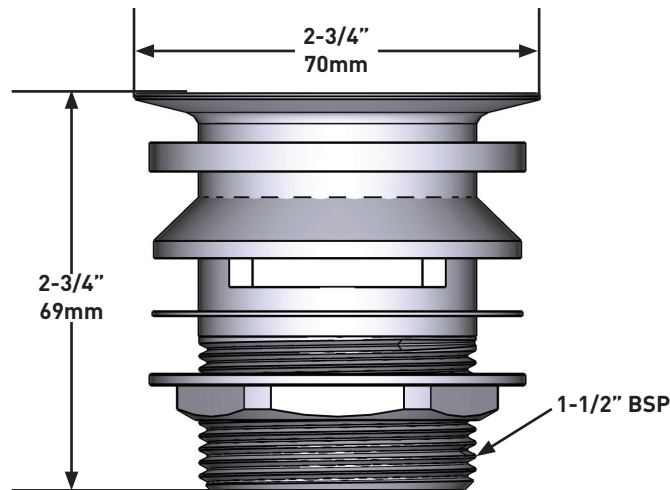
GARANTIE

- Voor meer informatie, bezoek www.houseofrohl.uk



Badafvoerplug

MODELLEN: K-15



For care and cleaning, product warranty, and additional information contact:

US Customers

U.S.A.
houseofrohl.com/support
1-800-777-9762

Canadian Customers

QUEBEC / MARITIMES / WESTERN CANADA
QUÉBEC / MARITIMES / OUEST CANADIEN
QUEBEC / MARITIMOS / CANADA OCCIDENTAL
houseofrohl.ca/support
1-866-473-8442

EMEA Customers

ONTARIO
houseofrohl.ca/support
1-800-287-5354

UNITED KINGDOM
www.houseofrohl.uk
01952 221100

