

Ecostat Comfort

Bath thermostat for exposed installation

Finish: Polished Gold Optic Article Number: 13114990



Description

product features

- projection 177 mm
- 2 functions
- thermostat cartridge, shut-off/ diverter valve
- spray type spout: normal spray
- maximum flow rate at 3 bar: 20 l/min
- flow rate for bath spout at 3 bar: 20 l/min
- flow rate of hand shower at 3 bar: 16 l/min
- min. operating pressure: 1 bar
- max. operating pressure: 10 bar
- Safety stop at 40 °C
- temperature limitation adjustable
- non-return valve
- with silencer
- suitable for continuous flow water heaters
- material handles: metal
- connection dimension: DN15
- connection type: G ½
- centre distance: 150 ± 12 mm
- dirt filter included

Technology



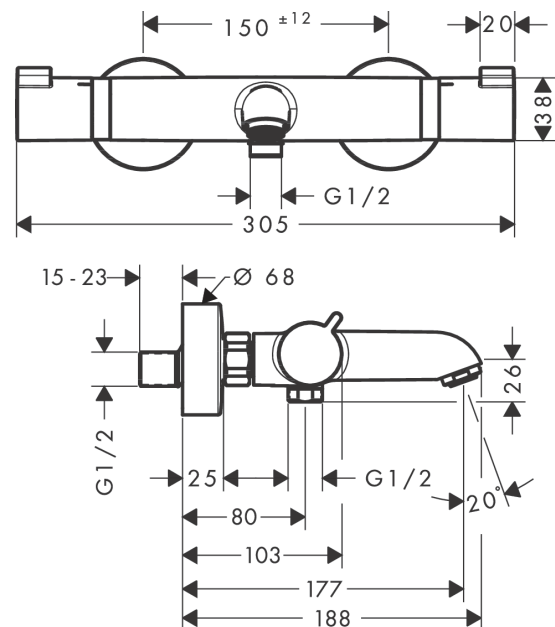
Design awards



Product image



Scale drawing



Ecostat Comfort

Bath thermostat for exposed installation

Finish: **Polished Gold Optic** Article Number: **13114990**



Flowchart

