

## Ecostat Comfort

### Bath thermostat for exposed installation

Finish: **Brushed Bronze** Article Number: **13114140**



#### Description

##### product features

- projection 177 mm
- 2 functions
- thermostat cartridge, shut-off/ diverter valve
- spray type spout: normal spray
- maximum flow rate at 3 bar: 20 l/min
- flow rate for bath spout at 3 bar: 20 l/min
- flow rate of hand shower at 3 bar: 16 l/min
- min. operating pressure: 1 bar
- max. operating pressure: 10 bar
- Safety stop at 40 °C
- temperature limitation adjustable
- non-return valve
- with silencer
- suitable for continuous flow water heaters
- material handles: metal
- connection dimension: DN15
- connection type: G ½
- centre distance: 150 ± 12 mm
- dirt filter included

#### Technology



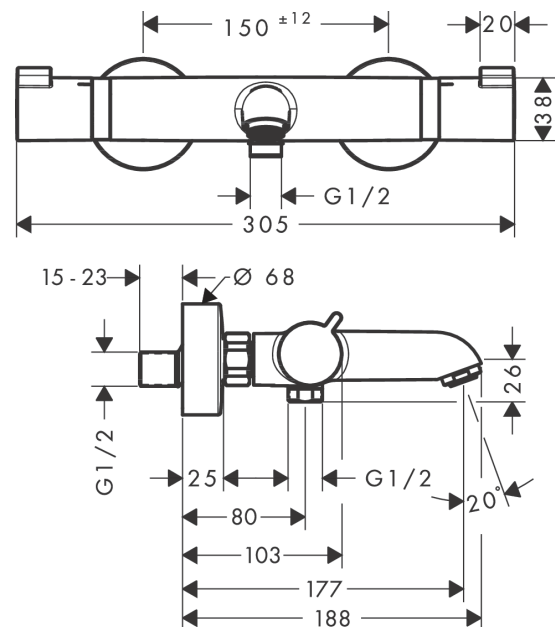
#### Design awards



#### Product image



#### Scale drawing



**Ecostat Comfort**

**Bath thermostat for exposed installation**

Finish: **Brushed Bronze** Article Number: **13114140**



**Flowchart**

