

sBox

Finish set square

Finish: **Matt Black** Article Number: **28010670**



Description

product features

- consists of: hose box, shower hose, escutcheon
- suitable for rim or tile mounted installation
- 1 function
- sBox for quiet, smooth and protected hose guidance
- connection dimension: DN15
- no additional maintenance opening required
- bath rim width at least 80 mm
- clamping range: 0 - 30 mm
- maximum pull-out length of hand shower 1,45 m
- removable for service at any time
- protected against backflow, according to DIN EN 1717
- maximum flow rate at 3 bar: 9,5 l/min

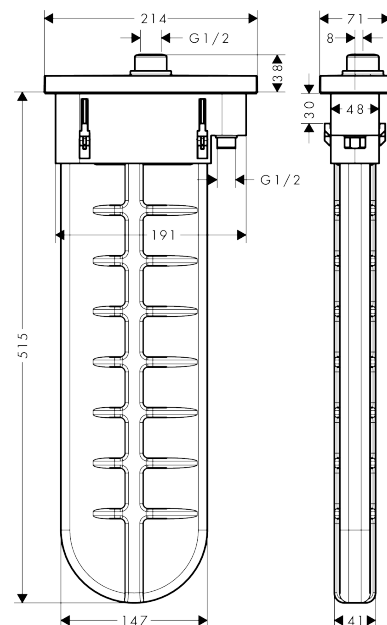
Design awards



Product image



Scale drawing



Flowchart

