

**Ecostat S**  
**Thermostat for concealed installation for 2 functions**  
 Finish: **Matt Black** Article Number: **15758670**



**Description**

**product features**

- volume control and diverter for 2 functions
- flow rate upper outlet: 28 l/min
- flow rate lower outlet: 25 l/min
- maximum flow rate at 3 bar: 29 l/min
- min. operating pressure: 1 bar
- max. operating pressure: 10 bar

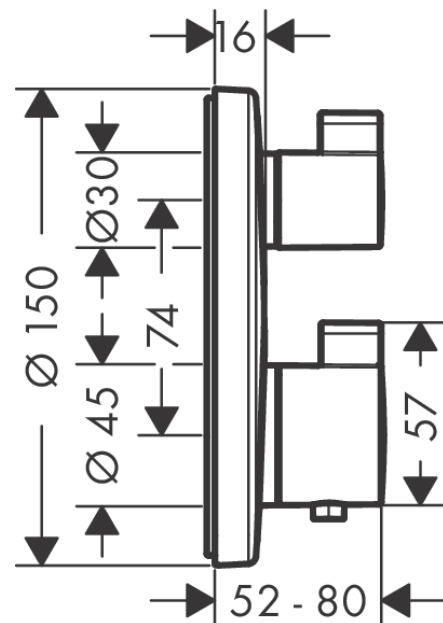
**Design awards**



**Product image**



**Scale drawing**



**Flowchart**

