



b o u t i q u e   b a t h s

# *Vanities*

**Orchid** ORC002



**Top mount basin**

*Orchid*

*Note: For product specifications please see over*

*Manufactured by Boutique Baths (Pty) Ltd  
Tel: ± 27 21 949 2213 Fax: ± 27 21 949 2239  
Email: sales@boutiquebaths.com*



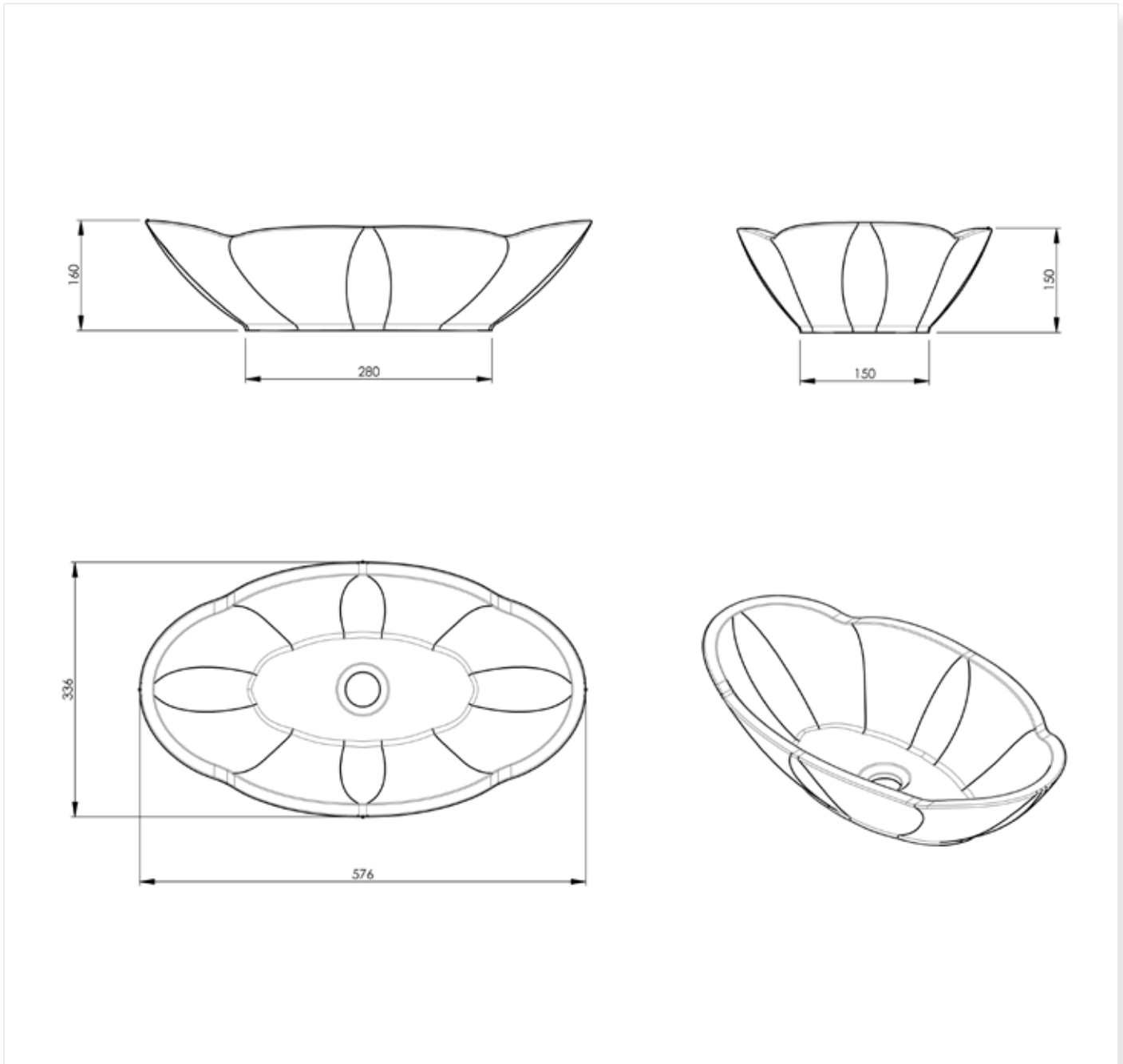
*Orchid basin with Magnolia bath*

DECEMBER 2010



Top mount basin

**Orchid** ORC002



### Specifications for Orchid basin

<b>Product Code</b> ORC002	<b>Width</b>	576 mm
	<b>Depth</b>	336 mm
	<b>Height</b>	160 mm
	<b>Weight empty</b>	8.8 kg