

RainDrain Flex
Finish set shower drain 800 cuttable
 Finish: **Brushed Black Chrome** Article Number: **56044340**



Description

product features

- consists of: design grate with removable cover, Dryphon
- mounting type: two-sided
- can be shortened on site
- easy to clean surface
- height adjustable by 10 mm
- up to 60 l/min drainage capacity
- where to use: new construction, renovation
- grate removal tool allows easy removal of the finish set
- with integrated slope
- type of odour seal: mechanical
- Dryphon enables waterless siphon system
- minimal installation height: 67 mm (flat uBox), 102 mm (standard uBox)
- grate material: Stainless Steel 304 (1.4301)
- suitable for primary drainage

Technology



Design awards

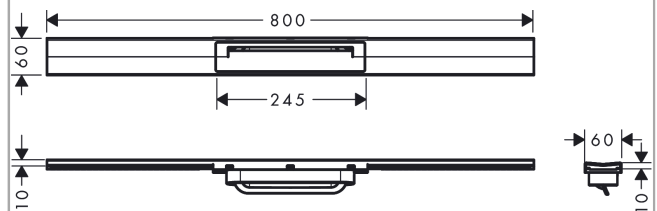


reddot winner 2022

Product image



Scale drawing

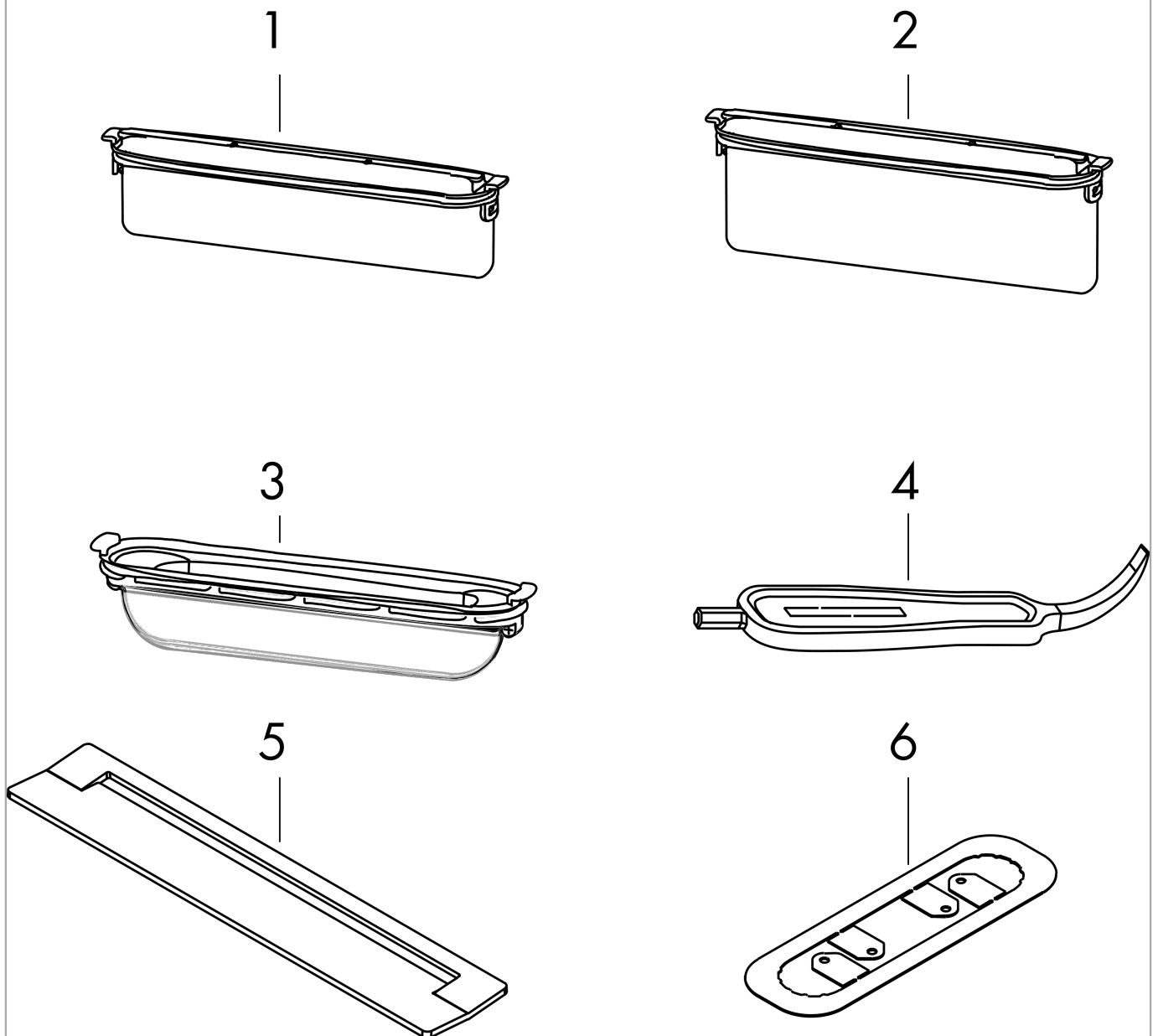


RainDrain Flex
Finish set shower drain 800 cuttable
 Finish: **Brushed Black Chrome** Article Number: **56044340**



Exploded Drawing

Year of production: >04/22



RainDrain Flex
Finish set shower drain 800 cuttable
 Finish: **Brushed Black Chrome** Article Number: **56044340**



Spare part list

Year of production: >04/22

| Pos. | Description | Article Number | PC | PU |
|------|----------------|----------------|----|----|
| 1 | trap cpl. | 94322000 | 13 | 1 |
| 2 | trap cpl. | 94323000 | 13 | 1 |
| 3 | Dryphon | 94326000 | 14 | 1 |
| 4 | service tool | 94327000 | 7 | 1 |
| 5 | cover | 94551340 | 63 | 1 |
| 6 | seal | 94802000 | 8 | 1 |
| a | concealed item | 01000180 | 99 | 1 |
| b | concealed item | 01001180 | 99 | 1 |