

RainDrain Rock
Finish set shower drain 600 cut on size and tileable
 Finish: Article Number: **56029000**



Description

product features

- consists of: tileable grate, grate removal tool, Dryphon
- mounting type: free in the floor, two-sided
- can be shortened on site
- frameless design
- height adjustable grate
- tile thickness: up to 40 mm
- suitable for every type of tile and tile thickness
- up to 60 l/min drainage capacity
- where to use: new construction, renovation
- grate removal tool allows easy removal of the finish set
- easy to clean
- type of odour seal: mechanical
- Dryphon enables waterless siphon system
- minimal installation height: 77 mm (flat uBox), 95 mm (standard installation)
- 50 mm excess length on both sides which can be shortened
- can be shortened to a minimum of 600 mm
- grate material: Stainless Steel 304 (1.4301)
- suitable for primary drainage

Technology



Design awards

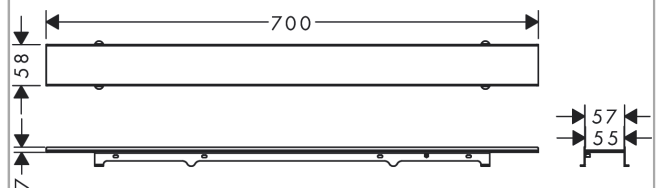


reddot winner 2022

Product image



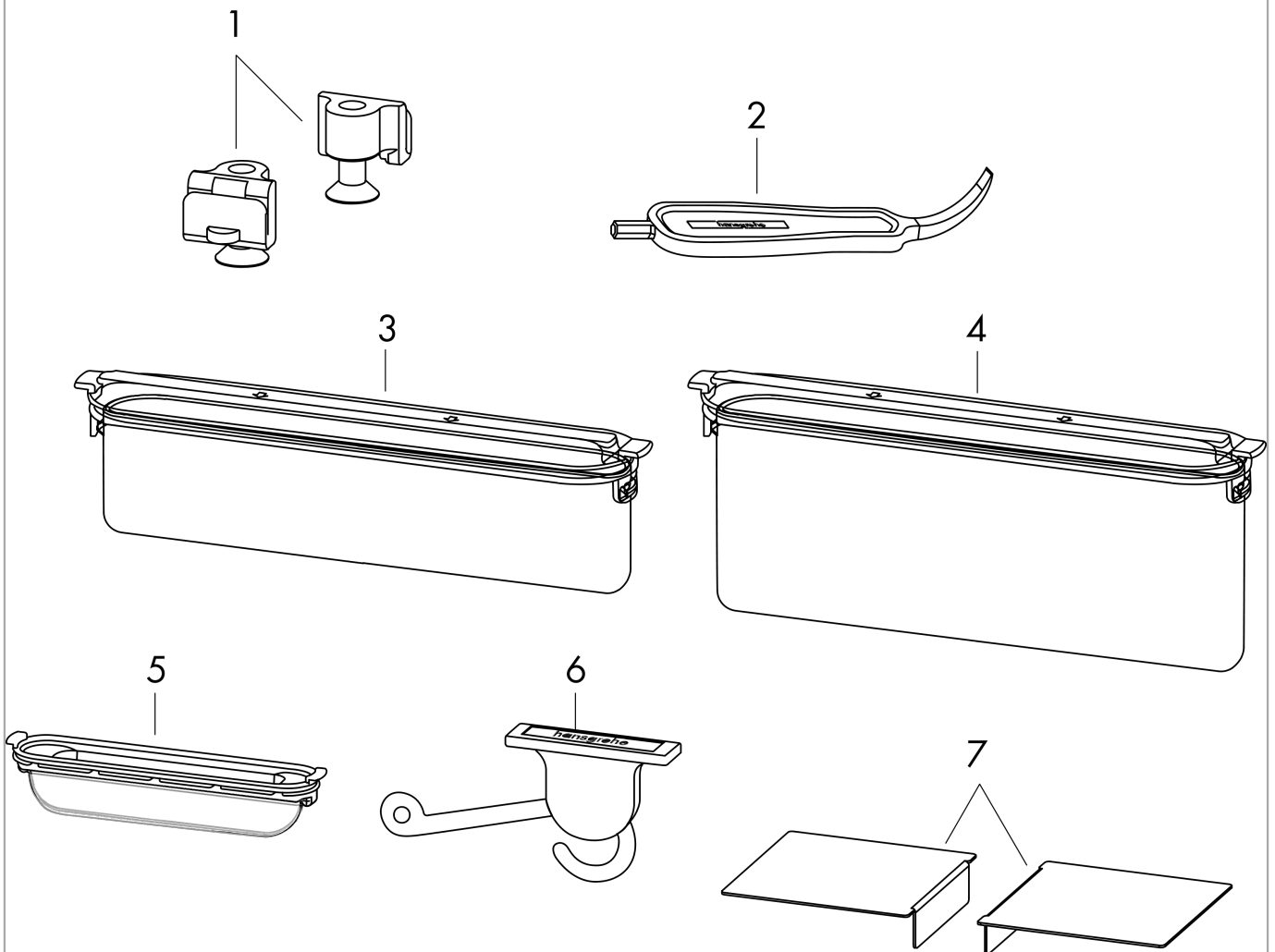
Scale drawing



RainDrain Rock
Finish set shower drain 600 cut on size and tileable
Finish: Article Number: **56029000**

Exploded Drawing

Year of production: >07/21



RainDrain Rock
Finish set shower drain 600 cut on size and tileable
 Finish: Article Number: **56029000**



Spare part list

Year of production: >07/21

Pos.	Description	Article Number	PC	PU
1	mounting-set	94334000	8	1
2	service tool	94327000	7	1
3	trap cpl.	94322000	13	1
4	trap cpl.	94323000	13	1
5	Dryphon	94326000	14	1
6	service tool	94333000	8	1
7	extension set	94335000	9	1
a	concealed item	56010180	99	1