

uBox universal

Complete set for standard installation - 600 for shower drains finish sets

Finish: Article Number: **56022180**



Description

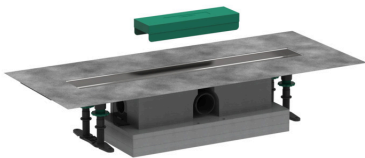
product features

- consists of: installation set, base set, pre-assembled sealing membrane, siphon, height adjustment boards
- suitable for all RainDrain Rock and RainDrain Match finish sets
- where to use: new construction, renovation
- water seal: 50 mm
- drainage capacity with siphon: up to 42 l/min
- drainage capacity with Dryphon: up to 60 l/min
- connection diameter: DN50
- direction of outlet: horizontal
- connection: 3-sided
- incl. height adjustment feet and tiling aid for installation
- easy fixation to the floor with mounting bracket
- height adjustable with the foam boards
- with integrated slope
- mounting type: wall-mounted, free in the floor
- easy to clean siphon
- removable siphon
- material installation set: Stainless Steel 304 (1.4301)

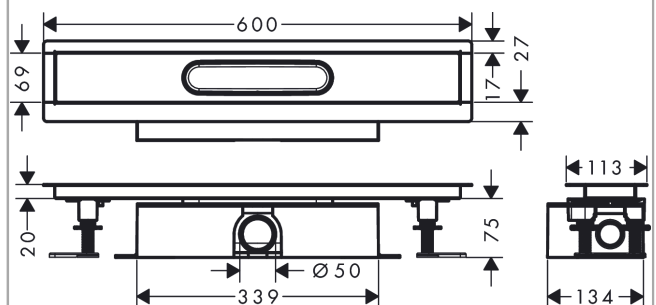
Technology



Product image



Scale drawing

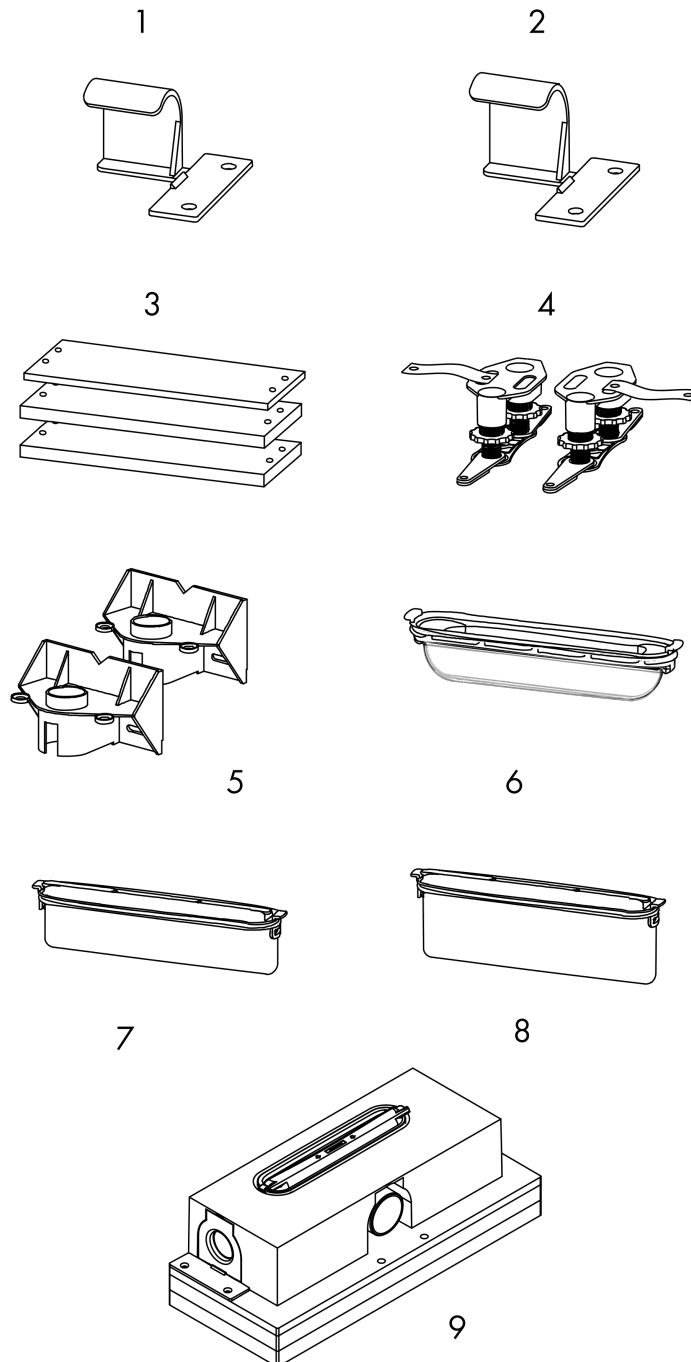


uBox universal
Complete set for standard installation - 600 for shower drains finish sets
 Finish: Article Number: **56022180**



Exploded Drawing

Year of production: >07/21



uBox universal

Complete set for standard installation - 600 for shower drains finish sets

Finish: Article Number: **56022180**



Spare part list

Year of production: >07/21

Pos.	Description	Article Number	PC	PU
1	fixing angel	94324000	9	1
2	mounting kit	94384000	9	1
3	compensation set	94325000	10	1
4	mounting-set	94331000	10	1
5	plug	94332000	8	1
6	Dryphon	94326000	14	1
7	trap cpl.	94322000	13	1
8	trap cpl.	94323000	13	1
9	concealed item	01001180	99	1