

**AddStoris**

**Tissue box**

Finish: **Polished Gold Optic** Article Number: **41774990**



**Description**

**product features**

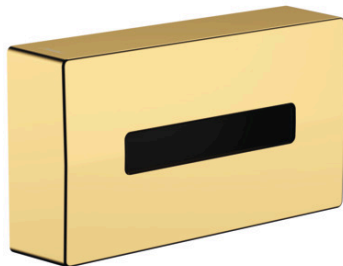
- wall-mounted
- adhesive attachment, screw fastening
- material: plastic
- suitable for customary tissue boxes
- easy removal of the lid for easy filling
- with mounting material
- concealed fastening
- drilling distance 200 mm
- diameter drill hole: 6 mm
- horizontal or vertical installation

**Design awards**

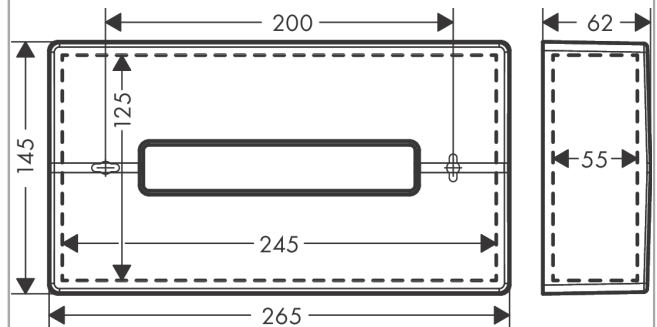


reddot winner 2021

**Product image**



**Scale drawing**



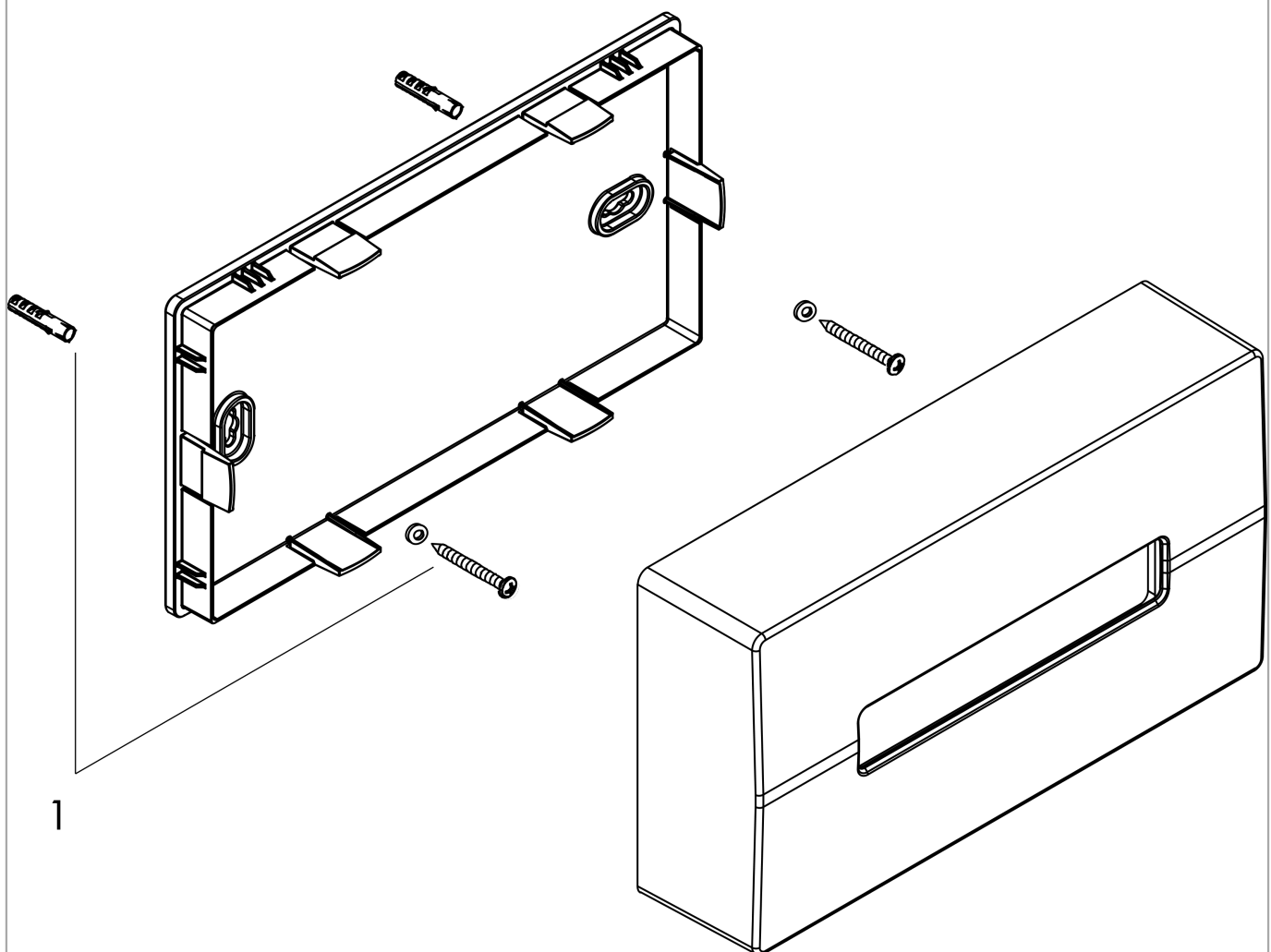
**AddStoris**  
**Tissue box**

Finish: **Polished Gold Optic**    Article Number: **41774990**



**Exploded Drawing**

Year of production: >04/21



**AddStoris**  
**Tissue box**  
 Finish: **Polished Gold Optic**    Article Number: **41774990**



**Spare part list**

Year of production: >04/21

Pos.	Description	Article Number	PC	PU
1	mounting set	40915000	4	1