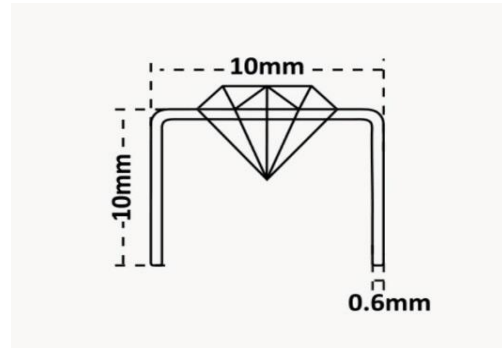
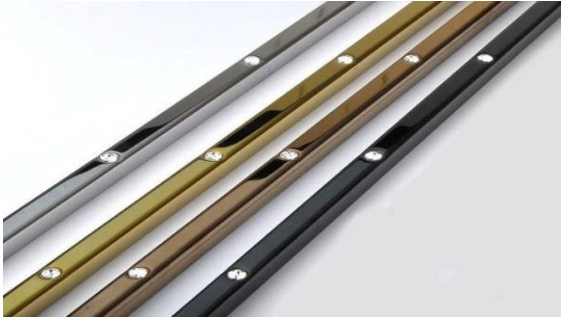


Product Data Sheet

Stainless Steel Edge Trim



Stainless Steel Décor Listello Edge Trim

Available in 10mm Grade 304

Product Description

Stainless Steel edge trims are suitable for floor and wall edge decorative or protection. The trims have a specially punched flange, which allows the profile to be formed by hand, allowing curves to be created. These profiles are chemical and atmospheric resistant. These profiles are recommended in areas such as food processing industries, breweries, hospitals and exterior use. Its smooth and non-porous surface means its especially difficult for the adhesion and survival of bacteria and other Micro-organisms.

Technical Features and Tests

Stainless Steel Tile Trim profiles are available in Rose Gold, Gold, Black & Silver.

Dimensions

Metric H x L	Imperial H x L
10mm x 2.5m	3/8" x 8.2'

Element	Actual %
C	0.2% - 0.6%
Mn	2.00%
Si	0.10%
P	0.75%
S	0.05%
Cr	0.03%
Ni	18-20 %
N	10.50%

Cleaning and maintenance

The DL Profile does not require any special maintenance. Oxidation films on Aluminium may be removed with a common polishing agent, however they do re-occur. Damaged anodised finishes may only be repaired by recoating. Aluminium must be tested to verify its sustainability if chemical stresses are anticipated. Cementitious materials, in conjunction with moisture, become alkaline. Since aluminium is sensitive to alkaline substances, exposure to the alkali (depending on the concentration and time of exposure) may result in corrosion (aluminium hydroxide formation). Therefore, it is important to remove adhesive or grout residue from visible surfaces. In addition, ensure that the profile is solidly embedded in the setting material and that all cavities are filled to prevent the collection of alkaline water. The anodised layer creates a finish that retains a uniform appearance during normal use. The surface, however, is susceptible to scratching and wear and may be damaged by tile adhesive, mortar or grouting material. Therefore setting materials must be removed immediately, otherwise, the description regarding aluminium applies.

Installation

1. Select DL width according to the desired effect.
2. Trowel tile adhesive over the area.
3. Press the DL profile into place and align on top of the already laid tile.
4. Solidly embed the tiles so that the tiled surface is flush with the top of the profile, the profile should not be higher than the tiled surface.
5. Fill the joint completely with grout.



ROSE GOLD

SILVER

BLACK

GOLD



Decoline

www.tfc.co.za • +27 11 822 6901 • genesis@tfc.co.za • heidi@tfc.co.za

PVC Trims • Stainless Steel Stair Nosings • Metal Profiles – Aluminium & Stainless Steel • Polymer Skirtings & Quarter Rounds•

Aluminium Skirtings • Decorative Profiles & Listellos