

**BLUTIDE™**  
taps inspired by life

**Vortex**  
SANITARYWARE

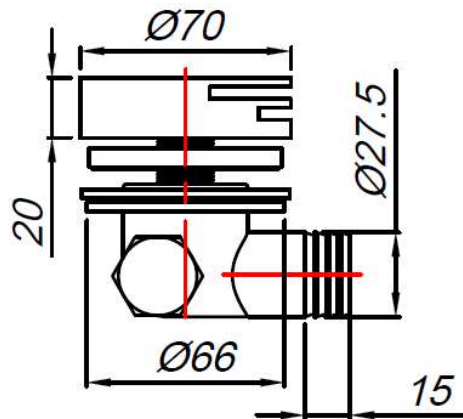
## PRODUCT SPECIFICATION SHEET

### Round Bath filler/Overflow | Accessories

Code: SA10800A



#### Technical drawing



**15**

YEAR GUARANTEE  
5 YEARS FOR ANY FINISH  
OTHER THAN CHROME

**JASWIC**  
APPROVED

**CORROSION**  
RESISTANT

**RADIANT**  
DIAMOND FINISH

**SERVICES**  
SUPPORT

**DISTRIBUTION SUB**  
SAHARAN AFRICA

**WaterMark**  
APPROVED

**SABS**  
APPROVED

## PRODUCT SPECIFICATION SHEET

### Guarantee

BluTide Taps and Mixers carry a 15-year guarantee against manufacturing faults. The guarantee excludes normal wear and tear of componentry.

"Special Finish" products, (ie: any finish other than chrome plating) will carry a 5-year guarantee on the finish.

All BluTide accessories (ie: shower roses, shower arms, spouts and hand showers etc) will carry a 5-year guarantee.

Please note this guarantee will be void if the following is not adhered to:

All Taps and Mixers must be installed by registered plumbers. Should any componentry need to be replaced, original BluTide spares should be used.

Cleaning and maintenance of the product must be carried out in accordance with the supplied instructions. In regard to corrosion defects, the product should not be exposed to salt spray in coastal areas or any other highly corrosive conditions. This may lessen the lifespan of the finish of the product. BluTide reserves the right to nullify the product guarantee should we determine that the product has not been maintained properly and/or has been abused or neglected.

Should you require any aftersales service with our BluTide product, please contact our service department at [service@vortex-za.com](mailto:service@vortex-za.com) or on +27 11 656 2533.