



Shortland - Top Flush Suite

PRODUCT CODES

WHITE SUITE:	TCOM408A	SUITE-SHORTLAND TF-WHI
	XTSHT08A	SUITE-SHORTLAND-WHI(NORMALSEAT)
CISTERN:	C00108A	CISTERN-SHORTLAND TF-WHI
PAN:	TCOM08A	PANS-SHORTLAND-WHI
SEAT:	STSH1P08	SEAT-SHORTLAND-WHITE (NORMAL CLOSE)
	STEC4W08	SEAT-SHORTLAND-WHITE (SOFT CLOSE)
MECH:	FMDFBW01	MECH-UNIVERSAL DUAL FLUSH (WIRQ)
FIXATION:	FXPAN003	FIX-PAN FIXATION KIT (L BRACKET)



CLOSE COUPLE, CLOSED RIM, TOP FLUSH

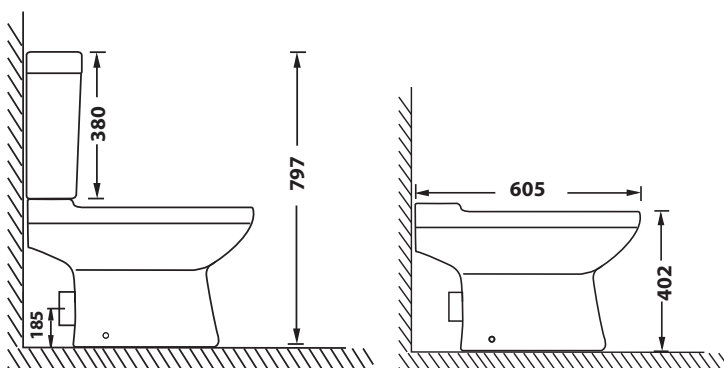
WEIGHT OF PAN:	25kg
WEIGHT OF CISTERN:	11.8kg
CISTERN WATER CAPACITY:	9l
PAN FLUSH VOLUME:	3/6l
PAN WIDTH:	365mm
PAN HEIGHT:	402mm
CISTERN WIDTH:	383mm
CISTERN HEIGHT:	380mm
COMBINED HEIGHT:	797mm
INSTALLED MAX LENGTH:	605mm

The Shortland top flush is a close-couple, closed rim suite.

SHORTLAND SUITE INSTALLATION GUIDE:

1. Fit inlet valve and flushing mechanism, as per manufacturer's instructions.
2. Attach cistern to pan using fixation bolts.
3. Fit seat, use the manufacturer's instructions.
4. Place the pan with cistern on flat (even) surface for best results.
5. Make markings on floor surface, for drilling of fixation holes (pan).
6. Remove pan and cistern, drill holes into concrete floor.
7. Slide outlet of pan onto bung of outlet pipe fitted by a qualified plumber.
8. Attach pan to floor using screw fixations.
9. Connect to the water supply.

AVAILABLE COLOURS:



Low carbon footprint

