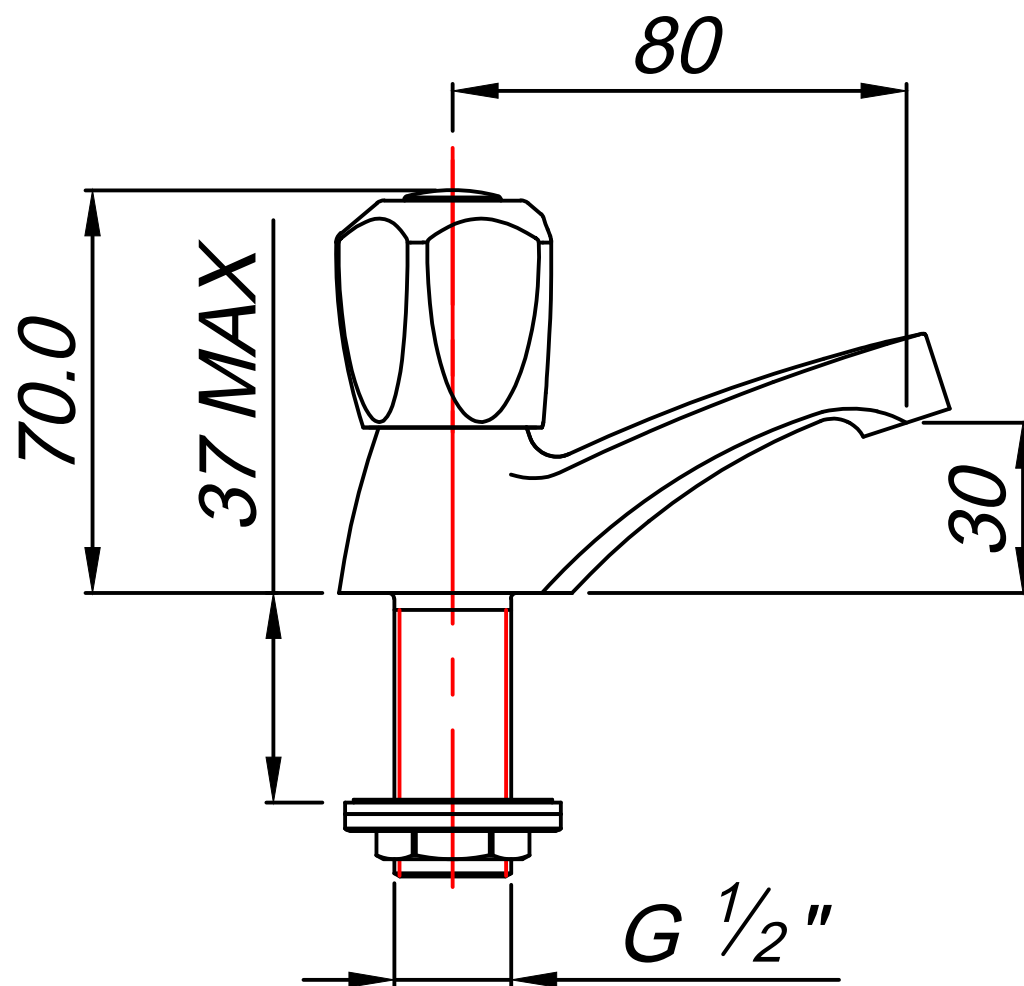


RT00050 Pillar tap



*Only Use SABS Class
2or3 copper tube or
Flexible Hose*