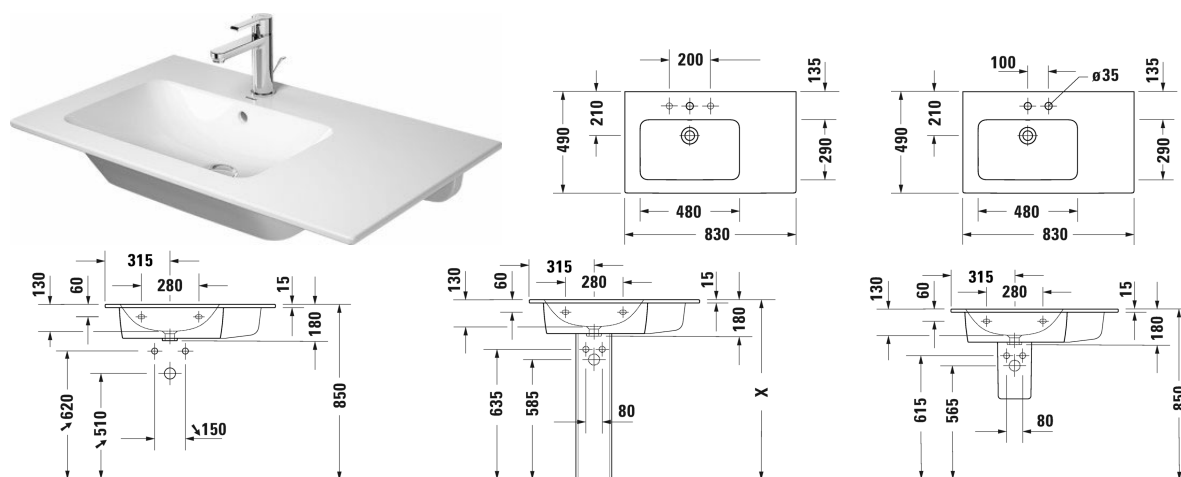


Furniture washbasin asymmetric # 234583..00 / 234583..00 / 234583..60 / 234583..60

|< 830 mm >|



Furniture washbasin asymmetric	Dimension	Weight	Order number
with overflow, with tap platform, bowl on left side, 830 mm			
Colors			
00 White Alpin 32 White Satin Matt			
Variant			
●	830 x 490 mm	21.300 kg	234583..00
●	830 x 490 mm	21.300 kg	234583..00
⊗	830 x 490 mm	21.300 kg	234583..60
⊗	830 x 490 mm	21.300 kg	234583..60
Sanitary ceramics with the special WonderGliss surface finish will remain clean and attractive-looking for a long time to come. When ordering WonderGliss please add a "1" as eleventh digit to the model number.			
Accessory			
Space saving waste	1 1/4" mm	0.400 kg	005076
Suitable products			
Vanity unit wall-mounted 1 pull-out compartment, for ME by Starck # 233683, 234583, 234683, 820 x 481 mm	820 x 481 mm		LC6141
Vanity unit wall-mounted 1 pull-out compartment, for ME by Starck # 233683, 234583, 234683, 800 x 475 mm	800 x 475 mm		KT6419
Vanity unit wall-mounted 2 drawers, upper drawer including cut-out for siphon and siphon cover, for ME by Starck # 234583 bowl on left side, 820 x 481 mm	820 x 481 mm		LC6291

Furniture washbasin asymmetric # 234583..00 / 234583..00 / 234583..60 / 234583..60

|< 830 mm >|

Vanity unit wall-mounted 1 pull-out compartment, Lateral shelf element, for ME by Starck # 234583 bowl on left side, 820 x 481 mm	820 x 481 mm	LC6191
Vanity unit wall-mounted 1 pull-out compartment, Lateral shelf element, for ME by Starck # 234583 bowl on left side, 820 x 479 mm	820 x 479 mm	BR4012
Vanity unit wall-mounted 1 pull-out compartment, for ME by Starck # 233683, 234583, 234683, 810 x 478 mm	810 x 478 mm	XS4072
Vanity unit wall-mounted 2 drawers, upper drawer including cut-out for siphon and siphon cover, for ME by Starck # 234583 bowl on left side, 810 x 478 mm	810 x 478 mm	XS4176
Vanity unit floor-standing 2 pull-out compartments, upper pull-out compartment including cut-out for siphon and siphon cover, integrated base frame legs with height adjustment, for ME by Starck # 234583 bowl on left side, 810 x 478 mm	810 x 478 mm	XS4450
Vanity unit wall-mounted 1 pull-out compartment, for ME by Starck # 233683, 234583, 234683, 810 x 480 mm	810 x 480 mm	XV4026
Vanity unit wall-mounted 2 drawers, upper drawer including cut-out for siphon and siphon cover, for ME by Starck # 234583 bowl on left side, 810 x 480 mm	810 x 480 mm	XV4158
Vanity unit floor-standing 2 pull-out compartments, upper pull-out compartment including cut-out for siphon and siphon cover, for ME by Starck # 234583 bowl on left side, 810 x 480 mm	810 x 480 mm	XV4486
Vanity unit wall-mounted 1 pull-out compartment, for ME by Starck # 233683, 234583, 234683, 810 x 462 mm	810 x 462 mm	DE4262
Vanity unit wall-mounted 1 drawer, 1 pull-out compartment, upper drawer including cut-out for siphon and siphon cover, for ME by Starck # 234583 bowl on left side, 810 x 462 mm	810 x 462 mm	DE4366
Vanity unit wall-mounted 1 pull-out compartment, for ME by Starck # 233683, 234583, 234683, 810 x 480 mm	810 x 480 mm	K25063
Vanity unit wall-mounted 2 drawers, upper drawer including cut-out for siphon and siphon cover, for ME by Starck # 234583 bowl on left side, 810 x 480 mm	810 x 480 mm	K25267
Recommended faucets		
Single lever basin mixer M Ceramic cartridge, Projection 139 mm, Flexible connection hoses 3/8 ", aerator adjustable, Normal spray, chrome, maximum temperature can be adjusted on installation, recommended operating pressure 3 - 5 bar, with pop-up waste set,		B11020001
Single lever basin mixer M Ceramic cartridge, Projection 139 mm, Flexible connection hoses 3/8 ", aerator adjustable, Normal spray, chrome, maximum temperature can be adjusted on installation, recommended operating pressure 3 - 5 bar, with pop-up waste set,		B21020001
Single lever basin mixer M Ceramic cartridge, Projection 139 mm, Flexible connection hoses 3/8 ", aerator adjustable, Normal spray, chrome, maximum temperature can be adjusted on installation, recommended operating pressure 3 - 5 bar, without pop-up waste set,		B11020002

Furniture washbasin asymmetric # 234583..00 / 234583..00 / 234583..60 / 234583..60

|< 830 mm >|

Single lever basin mixer M Ceramic cartridge, Projection 139 mm, Flexible connection hoses 3/8 ", aerator adjustable, Normal spray, chrome, maximum temperature can be adjusted on installation, recommended operating pressure 3 - 5 bar, without pop-up waste set,	B21020002
Single lever basin mixer M Ceramic cartridge, Projection 109 mm, Flexible connection hoses 3/8 ", aerator adjustable, Normal spray, chrome, maximum temperature can be adjusted on installation, recommended operating pressure 3 - 5 bar, with pop-up waste set,	DE1020001
Single lever basin mixer M Ceramic cartridge, Projection 109 mm, Flexible connection hoses 3/8 ", aerator adjustable, Normal spray, chrome, maximum temperature can be adjusted on installation, recommended operating pressure 3 - 5 bar, without pop-up waste set,	DE1020002
Single lever basin mixer M FreshStart Ceramic cartridge, in centre position cold water, Projection 109 mm, Flexible connection hoses 3/8 ", aerator adjustable, Normal spray, chrome, maximum temperature can be adjusted on installation, recommended operating pressure 3 - 5 bar, with pop-up waste set,	DE1021001
Single lever basin mixer M FreshStart Ceramic cartridge, in centre position cold water, Projection 109 mm, Flexible connection hoses 3/8 ", aerator adjustable, Normal spray, chrome, maximum temperature can be adjusted on installation, recommended operating pressure 3 - 5 bar, without pop-up waste set,	DE1021002
Single lever basin mixer M FreshStart Ceramic cartridge, in centre position cold water, projection 135 mm, Flexible connection hoses 3/8 ", flow rate 5,0 l/min (3 bar), Normal spray, connection size DN15, maximum temperature can be adjusted on installation, recommended operating pressure 3 - 5 bar, with pop-up waste set,	TU1021001
Single lever basin mixer M FreshStart Ceramic cartridge, in centre position cold water, projection 135 mm, Flexible connection hoses 3/8 ", flow rate 5,0 l/min (3 bar), Normal spray, connection size DN15, maximum temperature can be adjusted on installation, recommended operating pressure 3 - 5 bar, without pop-up waste set,	TU1021002
Single lever basin mixer M Ceramic cartridge, projection 135 mm, Flexible connection hoses 3/8 ", flow rate 5,0 l/min (3 bar), Normal spray, connection size DN15, maximum temperature can be adjusted on installation, recommended operating pressure 3 - 5 bar, without pop-up waste set,	TU1020002
Single lever basin mixer M Ceramic cartridge, projection 135 mm, Flexible connection hoses 3/8 ", flow rate 5,0 l/min (3 bar), Normal spray, connection size DN15, maximum temperature can be adjusted on installation, recommended operating pressure 3 - 5 bar, with pop-up waste set,	TU1020001
Single lever basin mixer M Ceramic cartridge, projection 122 mm, aerator with Easy-clean spray-plate, flow rate 5,0 l/min (3 bar), Normal spray, connection size DN15, recommended operating pressure 3 - 5 bar, with pop-up waste set,	WA1020001
Single lever basin mixer M Ceramic cartridge, projection 122 mm, aerator with Easy-clean spray-plate, flow rate 5,0 l/min (3 bar), Normal spray, connection size DN15, recommended operating pressure 3 - 5 bar, without pop-up waste set,	WA1020002

Furniture washbasin asymmetric # 234583..00 / 234583..00 /
234583..60 / 234583..60

|< 830 mm >|

Single lever basin mixer for concealed installation Normal spray, Ceramic cartridge, aerator with Easy-clean spray-plate, flow rate 5,0 l/min (3 bar), Connection type: basic set for concealed installation, includes: visible parts, recommended operating pressure 3 - 5 bar, projection 202 mm,	WA1070004
Single lever basin mixer M Ceramic cartridge, projection 129 mm, aerator with Easy-clean spray-plate, flow rate 5,0 l/min (3 bar), Normal spray, recommended operating pressure 3 - 5 bar, with pop-up waste set,	MH1020001
Single lever basin mixer M Ceramic cartridge, projection 129 mm, aerator with Easy-clean spray-plate, flow rate 5,0 l/min (3 bar), Normal spray, recommended operating pressure 3 - 5 bar, without pop-up waste set,	MH1020002
Single lever basin mixer for concealed installation Normal spray, Ceramic cartridge, aerator with Easy-clean spray-plate, flow rate 5,0 l/min (3 bar), Connection type: basic set for concealed installation, recommended operating pressure 3 - 5 bar,	MH1070004
Single lever basin mixer M FreshStart ,	MH1021001
Single lever basin mixer M FreshStart ,	MH1021002
Single lever basin mixer M MinusFlow ,	MH1022001
Single lever basin mixer M MinusFlow ,	MH1022002
Single lever basin mixer M FreshStart connection size DN15,	WA1021001
Single lever basin mixer M FreshStart connection size DN15,	WA1021002
Single lever basin mixer M MinusFlow connection size DN15,	WA1022001
Single lever basin mixer M MinusFlow connection size DN15,	WA1022002

All drawings contain the necessary measurements which are subject to standard tolerances. They are stated in mm and are non-binding. Exact measurements, in particular for customised installation scenarios, can only be taken from the finished piece.