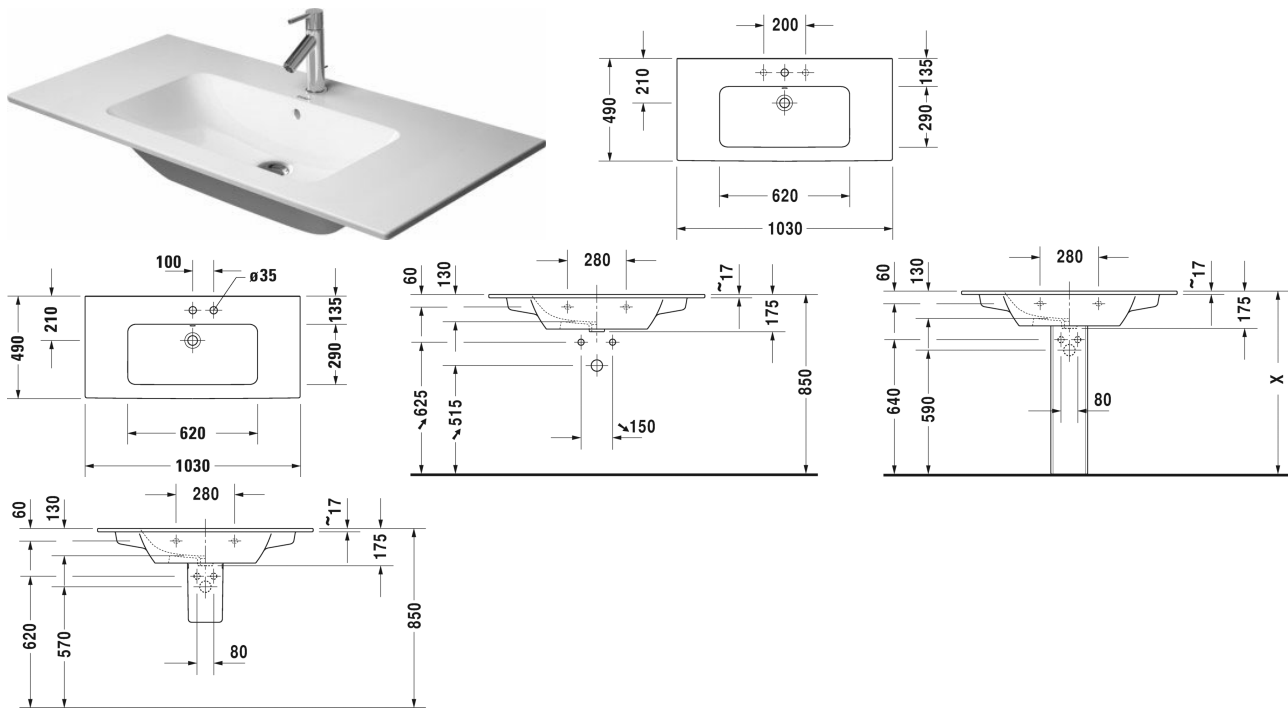


Washbasin, furniture washbasin # 233610..00 / 233610..00 /
233610..60 / 233610..60

< 1030 mm >



| Washbasin, furniture washbasin | Dimension | Weight | Order number |
|--|---------------|-----------|--------------|
| with overflow, with tap platform, 1030 mm | | | |
| Colors | | | |
| 00 White Alpin 32 White Satin Matt | | | |
| Variant | | | |
| ● | 1030 x 490 mm | 26.000 kg | 233610..00 |
| ● | 1030 x 490 mm | 26.000 kg | 233610..00 |
| ☒ | 1030 x 490 mm | 26.000 kg | 233610..60 |
| ☒ | 1030 x 490 mm | 26.000 kg | 233610..60 |
| Sanitary ceramics with the special WonderGliss surface finish will remain clean and attractive-looking for a long time to come. When ordering WonderGliss please add a "1" as eleventh digit to the model number. | | | |
| Accessory | | | |
| Space saving waste | 1 1/4" mm | 0.400 kg | 005076 |
| Suitable products | | | |

Washbasin, furniture washbasin # 233610..00 / 233610..00 / 233610..60 / 233610..60

|< 1030 mm >|

| | | |
|---|---------------|--------|
| Vanity unit wall-mounted 1 pull-out compartment, for ME by Starck # 233610, 1020 x 481 mm | 1020 x 481 mm | LC6142 |
| Vanity unit wall-mounted 2 drawers, upper drawer including cut-out for siphon and siphon cover, for ME by Starck # 233610, 1020 x 481 mm | 1020 x 481 mm | LC6242 |
| Vanity unit floor-standing 2 pull-out compartments, upper pull-out compartment including cut-out for siphon and siphon cover, for ME by Starck # 233610, 1020 x 481 mm | 1020 x 481 mm | LC6627 |
| Pedestal for # 233565, 233560, 233555, 233613, 233612, 233610, 233683, 233663, 236112, 233653, 175 x 210 mm | 175 x 210 mm | 085839 |
| Semi pedestal for # 233565, 233560, 233555, 233613, 233612, 233610, 233683, 233663, 236112, 233653, 170 x 300 mm | 170 x 300 mm | 085840 |
| Vanity unit wall-mounted 1 pull-out compartment, for ME by Starck # 233610, 1000 x 475 mm | 1000 x 475 mm | KT6420 |
| Vanity unit wall-mounted 2 drawers, upper drawer including cut-out for siphon and siphon cover, for ME by Starck # 233610, 1000 x 475 mm | 1000 x 475 mm | KT6430 |
| Vanity unit wall-mounted 1 pull-out compartment, for ME by Starck # 233610, 1020 x 479 mm | 1020 x 479 mm | BR4003 |
| Vanity unit wall-mounted 2 drawers, upper drawer including cut-out for siphon and siphon cover, for ME by Starck # 233610, 1020 x 479 mm | 1020 x 479 mm | BR4103 |
| Vanity unit floor-standing 2 pull-out compartments, upper pull-out compartment including cut-out for siphon and siphon cover, for ME by Starck # 233610, 1020 x 479 mm | 1020 x 479 mm | BR4403 |
| Vanity unit wall-mounted 1 pull-out compartment, for ME by Starck # 233610, 1010 x 478 mm | 1010 x 478 mm | XS4073 |
| Vanity unit wall-mounted 2 drawers, upper drawer including cut-out for siphon and siphon cover, for ME by Starck # 233610, 1010 x 478 mm | 1010 x 478 mm | XS4173 |
| Vanity unit floor-standing 2 pull-out compartments, upper pull-out compartment including cut-out for siphon and siphon cover, integrated base frame legs with height adjustment, for ME by Starck # 233610, 1010 x 478 mm | 1010 x 478 mm | XS4447 |
| Vanity unit wall-mounted 1 pull-out compartment, for ME by Starck # 233610, 1000 x 475 mm | 1000 x 475 mm | XB6032 |
| Vanity unit wall-mounted 2 drawers, upper drawer including cut-out for siphon and siphon cover, for ME by Starck # 233610, 1000 x 475 mm | 1000 x 475 mm | XB6122 |
| Vanity unit wall-mounted 1 pull-out compartment, for ME by Starck # 233610, 1010 x 480 mm | 1010 x 480 mm | XV4027 |
| Vanity unit wall-mounted 2 drawers, upper drawer including cut-out for siphon and siphon cover, for ME by Starck # 233610, 1010 x 480 mm | 1010 x 480 mm | XV4127 |
| Vanity unit floor-standing 2 pull-out compartments, upper pull-out compartment including cut-out for siphon and siphon cover, for ME by Starck # 233610, 1010 x 480 mm | 1010 x 480 mm | XV4483 |
| Vanity unit wall-mounted 1 pull-out compartment, for ME by Starck # 233610, 1010 x 462 mm | 1010 x 462 mm | DE4263 |

Washbasin, furniture washbasin # 233610..00 / 233610..00 / 233610..60 / 233610..60

|< 1030 mm >|

| | | |
|--|---------------|-----------|
| Vanity unit wall-mounted 1 drawer, 1 pull-out compartment, upper drawer including cut-out for siphon and siphon cover, for ME by Starck # 233610, 1010 x 462 mm | 1010 x 462 mm | DE4363 |
| Vanity unit wall-mounted 1 pull-out compartment, for ME by Starck # 233610, 1010 x 480 mm | 1010 x 480 mm | K25064 |
| Vanity unit wall-mounted 2 drawers, upper drawer including cut-out for siphon and siphon cover, for ME by Starck # 233610, 1010 x 480 mm | 1010 x 480 mm | K25264 |
| Recommended faucets | | |
| Single lever basin mixer M Ceramic cartridge, Projection 139 mm, Flexible connection hoses 3/8 ", aerator adjustable, Normal spray, chrome, maximum temperature can be adjusted on installation, recommended operating pressure 3 - 5 bar, with pop-up waste set, | | B11020001 |
| Single lever basin mixer M Ceramic cartridge, Projection 139 mm, Flexible connection hoses 3/8 ", aerator adjustable, Normal spray, chrome, maximum temperature can be adjusted on installation, recommended operating pressure 3 - 5 bar, with pop-up waste set, | | B21020001 |
| Single lever basin mixer M Ceramic cartridge, Projection 139 mm, Flexible connection hoses 3/8 ", aerator adjustable, Normal spray, chrome, maximum temperature can be adjusted on installation, recommended operating pressure 3 - 5 bar, without pop-up waste set, | | B11020002 |
| Single lever basin mixer M Ceramic cartridge, Projection 139 mm, Flexible connection hoses 3/8 ", aerator adjustable, Normal spray, chrome, maximum temperature can be adjusted on installation, recommended operating pressure 3 - 5 bar, without pop-up waste set, | | B21020002 |
| Single lever basin mixer M Ceramic cartridge, Projection 109 mm, Flexible connection hoses 3/8 ", aerator adjustable, Normal spray, chrome, maximum temperature can be adjusted on installation, recommended operating pressure 3 - 5 bar, with pop-up waste set, | | DE1020001 |
| Single lever basin mixer M Ceramic cartridge, Projection 109 mm, Flexible connection hoses 3/8 ", aerator adjustable, Normal spray, chrome, maximum temperature can be adjusted on installation, recommended operating pressure 3 - 5 bar, without pop-up waste set, | | DE1020002 |
| Single lever basin mixer M FreshStart Ceramic cartridge, in centre position cold water, Projection 109 mm, Flexible connection hoses 3/8 ", aerator adjustable, Normal spray, chrome, maximum temperature can be adjusted on installation, recommended operating pressure 3 - 5 bar, with pop-up waste set, | | DE1021001 |
| Single lever basin mixer M FreshStart Ceramic cartridge, in centre position cold water, Projection 109 mm, Flexible connection hoses 3/8 ", aerator adjustable, Normal spray, chrome, maximum temperature can be adjusted on installation, recommended operating pressure 3 - 5 bar, without pop-up waste set, | | DE1021002 |

Washbasin, furniture washbasin # 233610..00 / 233610..00 / 233610..60 / 233610..60

|< 1030 mm >|

| | |
|---|-----------|
| Single lever basin mixer M Ceramic cartridge, projection 106 mm, Flexible connection hoses 3/8 ", Normal spray, flow rate 5,0 l/min (3 bar), connection size DN15, chrome, recommended operating pressure 3 - 5 bar, with pop-up waste set, | N11020001 |
| Single lever basin mixer M Ceramic cartridge, projection 106 mm, Flexible connection hoses 3/8 ", Normal spray, flow rate 5,0 l/min (3 bar), connection size DN15, chrome, recommended operating pressure 3 - 5 bar, without pop-up waste set, | N11020002 |
| Single lever basin mixer M FreshStart Ceramic cartridge, in centre position cold water, projection 106 mm, Flexible connection hoses 3/8 ", Normal spray, flow rate 5,0 l/min (3 bar), connection size DN15, chrome, recommended operating pressure 3 - 5 bar, with pop-up waste set, | N11021001 |
| Single lever basin mixer M FreshStart Ceramic cartridge, in centre position cold water, projection 106 mm, Flexible connection hoses 3/8 ", Normal spray, flow rate 5,0 l/min (3 bar), connection size DN15, chrome, recommended operating pressure 3 - 5 bar, without pop-up waste set, | N11021002 |
| Single lever basin mixer M MinusFlow Ceramic cartridge, projection 106 mm, Flexible connection hoses 3/8 ", Normal spray, flow rate 3,5 l/min (3 bar), connection size DN15, chrome, recommended operating pressure 3 - 5 bar, with pop-up waste set, | N11022001 |
| Single lever basin mixer M MinusFlow Ceramic cartridge, projection 106 mm, Flexible connection hoses 3/8 ", Normal spray, flow rate 3,5 l/min (3 bar), connection size DN15, chrome, recommended operating pressure 3 - 5 bar, without pop-up waste set, | N11022002 |
| Single lever basin mixer M FreshStart Ceramic cartridge, in centre position cold water, projection 135 mm, Flexible connection hoses 3/8 ", flow rate 5,0 l/min (3 bar), Normal spray, connection size DN15, maximum temperature can be adjusted on installation, recommended operating pressure 3 - 5 bar, with pop-up waste set, | TU1021001 |
| Single lever basin mixer M FreshStart Ceramic cartridge, in centre position cold water, projection 135 mm, Flexible connection hoses 3/8 ", flow rate 5,0 l/min (3 bar), Normal spray, connection size DN15, maximum temperature can be adjusted on installation, recommended operating pressure 3 - 5 bar, without pop-up waste set, | TU1021002 |
| Single lever basin mixer M Ceramic cartridge, projection 135 mm, Flexible connection hoses 3/8 ", flow rate 5,0 l/min (3 bar), Normal spray, connection size DN15, maximum temperature can be adjusted on installation, recommended operating pressure 3 - 5 bar, without pop-up waste set, | TU1020002 |
| Single lever basin mixer M Ceramic cartridge, projection 135 mm, Flexible connection hoses 3/8 ", flow rate 5,0 l/min (3 bar), Normal spray, connection size DN15, maximum temperature can be adjusted on installation, recommended operating pressure 3 - 5 bar, with pop-up waste set, | TU1020001 |
| Single lever basin mixer M Ceramic cartridge, projection 122 mm, aerator with Easy-clean spray-plate, flow rate 5,0 l/min (3 bar), Normal spray, connection size DN15, recommended operating pressure 3 - 5 bar, with pop-up waste set, | WA1020001 |

Washbasin, furniture washbasin # 233610..00 / 233610..00 / 233610..60 / 233610..60

|< 1030 mm >|

| | |
|---|-----------|
| Single lever basin mixer M Ceramic cartridge, projection 122 mm, aerator with Easy-clean spray-plate, flow rate 5,0 l/min (3 bar), Normal spray, connection size DN15, recommended operating pressure 3 - 5 bar, without pop-up waste set, | WA1020002 |
| Single lever basin mixer for concealed installation Normal spray, Ceramic cartridge, aerator with Easy-clean spray-plate, flow rate 5,0 l/min (3 bar), Connection type: basic set for concealed installation, includes: visible parts, recommended operating pressure 3 - 5 bar, projection 202 mm, | WA1070004 |
| Single lever basin mixer M Ceramic cartridge, projection 129 mm, aerator with Easy-clean spray-plate, flow rate 5,0 l/min (3 bar), Normal spray, recommended operating pressure 3 - 5 bar, with pop-up waste set, | MH1020001 |
| Single lever basin mixer M Ceramic cartridge, projection 129 mm, aerator with Easy-clean spray-plate, flow rate 5,0 l/min (3 bar), Normal spray, recommended operating pressure 3 - 5 bar, without pop-up waste set, | MH1020002 |
| Single lever basin mixer M FreshStart , | MH1021001 |
| Single lever basin mixer M FreshStart , | MH1021002 |
| Single lever basin mixer M MinusFlow , | MH1022001 |
| Single lever basin mixer M MinusFlow , | MH1022002 |
| Single lever basin mixer M FreshStart connection size DN15, | WA1021001 |
| Single lever basin mixer M FreshStart connection size DN15, | WA1021002 |
| Single lever basin mixer M MinusFlow connection size DN15, | WA1022001 |
| Single lever basin mixer M MinusFlow connection size DN15, | WA1022002 |

All drawings contain the necessary measurements which are subject to standard tolerances. They are stated in mm and are non-binding. Exact measurements, in particular for customised installation scenarios, can only be taken from the finished piece.