

## sBox

### Finish set square

Finish: **Chrome** Article Number: **28010000**



### Description

#### product features

- suitable for rim or tile mounted installation
- consists of: hose box, shower hose, escutcheon
- 1 function
- sBox for quiet, smooth and protected hose guidance
- connection dimension: DN15
- no additional maintenance opening required
- bath rim width at least 100 mm
- clamping range: 0 - 30 mm
- maximum pull-out length of hand shower 1.45 m
- removable for service at any time
- protected against backflow, according to DIN EN 1717
- maximum flow rate at 3 bar: 9,5 l/min

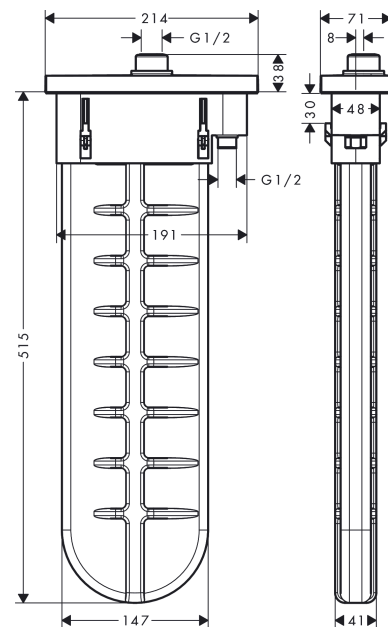
### Design awards



### Product image



### Scale drawing



### Flowchart

