

sBox

Rim and tile mounted bath basic set

Finish: n.a. Article Number: 13560180



Description

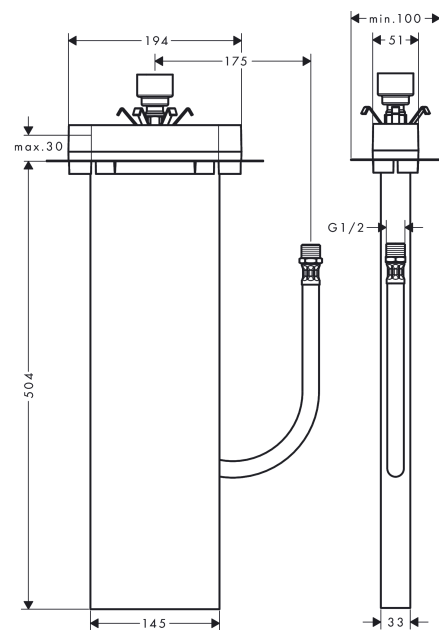
product features

- suitable for rim or tile mounted installation
- 1 function
- connection thread G ½
- connection dimension: DN15
- connection hose length: 600 mm
- bath rim width at least 100 mm
- drilling diameter on bath tub: two drilled holes Ø 50/51 mm and connection by sawing out required (consider template)
- clamping range: 0 - 30 mm

Product image



Scale drawing



sBox**Rim and tile mounted bath basic set**Finish: n.a. Article Number: **13560180**

Installation examples

