

Raindance Rainfall

Overhead shower 180 2jet

Finish: **Chrome** Article Number: **28433000**



Description

product features

- consists of: overhead shower, wall connector
- shower head size: 180 mm
- spray type: RainAir, RainFlow
- material spray disc: metal
- spray disc surface: chrome
- maximum flow rate at 3 bar: 24 l/min
- flow rate RainAir spray (at 3 bar): 17 l/min
- flow rate RainFlow spray (at 3 bar): 24 l/min
- minimum flow pressure: 2 bar
- the 2 spray zones must be controlled via 2 valves or a diverter valve with 2 outlets
- installation: wall-mounted - based on iBox
- connection dimension: DN15
- suitable for continuous flow water heaters

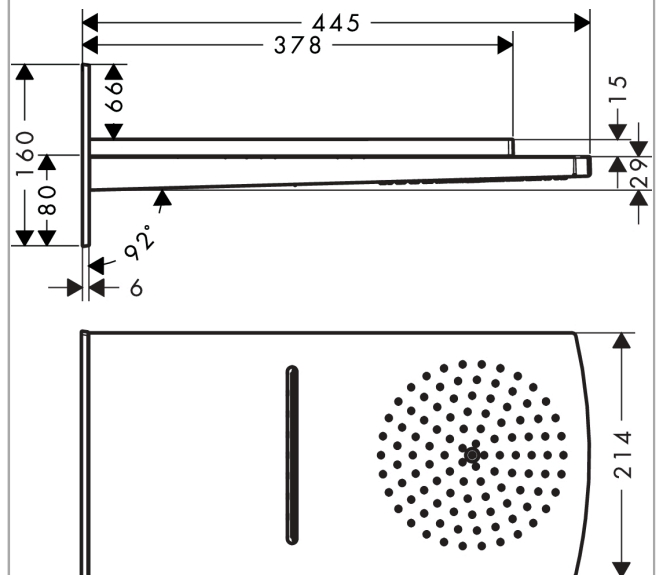
Technology



Product image



Scale drawing



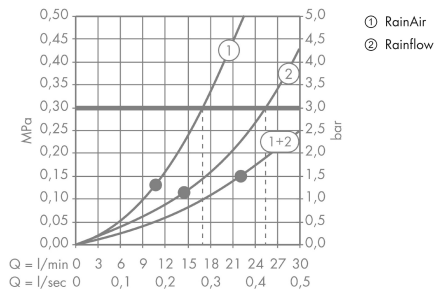
Raindance Rainfall

Overhead shower 180 2jet

Finish: **Chrome** Article Number: **28433000**



Flowchart



The consumption was measured in combination with the appropriate fittings (thermostat/mixer/in-wall valve) to reflect actual application in practice.

Raindance Rainfall

Overhead shower 180 2jet

Finish: **Chrome** Article Number: **28433000**



Installation examples

