

Raindance Rainfall

Overhead shower 150 1jet stream

Finish: **Chrome** Article Number: **26443000**



Description

product features

- shower head size: 153 mm
- spray type: Stream
- ball-joint: overhead shower angle adjustable
- maximum flow rate at 3 bar: 18 l/min
- flow rate RainStream spray (at 3 bar): 18 l/min
- minimum flow pressure: 1,7 bar
- installation: wall
- connection thread G 1/2
- connection dimension: DN15
- suitable for continuous flow water heaters

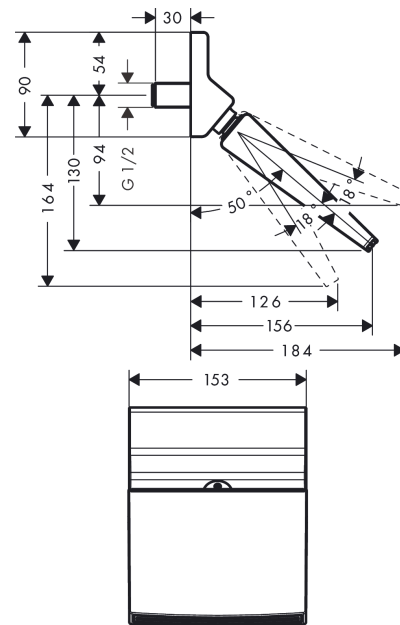
Technology



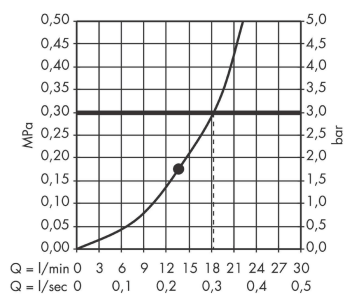
Product image



Scale drawing



Flowchart



The consumption was measured in combination with the appropriate fittings (thermostat/mixer/ in-wall valve) to reflect actual application in practice.