

ShowerSelect Glass
Thermostat for concealed installation for 2 functions
 Finish: **White/Chrome** Article Number: **15738400**



Description

product features

- 2 functions
- thermostat cartridge, Start/stop valve to operate the functions
- Select push-button on/off control for 2 outlets
- simultaneous use of several outlets
- maximum flow rate at 3 bar: 29,7 l/min
- flow rate upper outlet: 25 l/min
- flow rate lower outlet: 23 l/min
- flow rate by simultaneous use of all outlets: 29,7 l/min
- min. operating pressure: 1 bar
- max. operating pressure: 10 bar
- safety stop at 40 °C
- temperature limitation adjustable
- thermostat is delivered with buttons hand shower and Rain large
- connection type: basic set

Technology



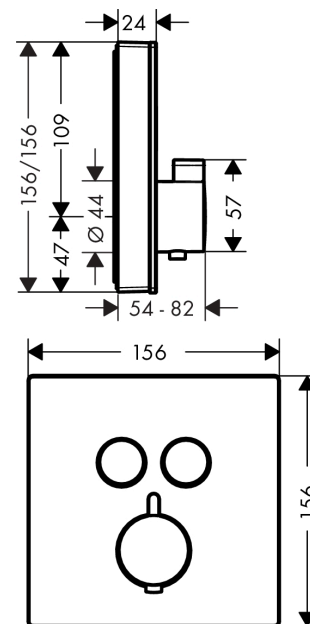
Certificates / Sustainability



Product image



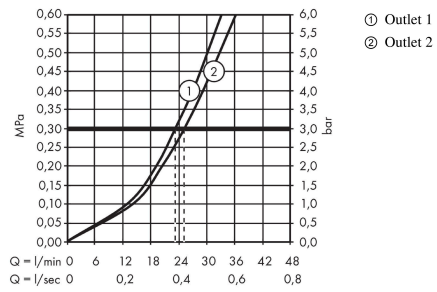
Scale drawing



ShowerSelect Glass
Thermostat for concealed installation for 2 functions
 Finish: **White/Chrome** Article Number: **15738400**



Flowchart

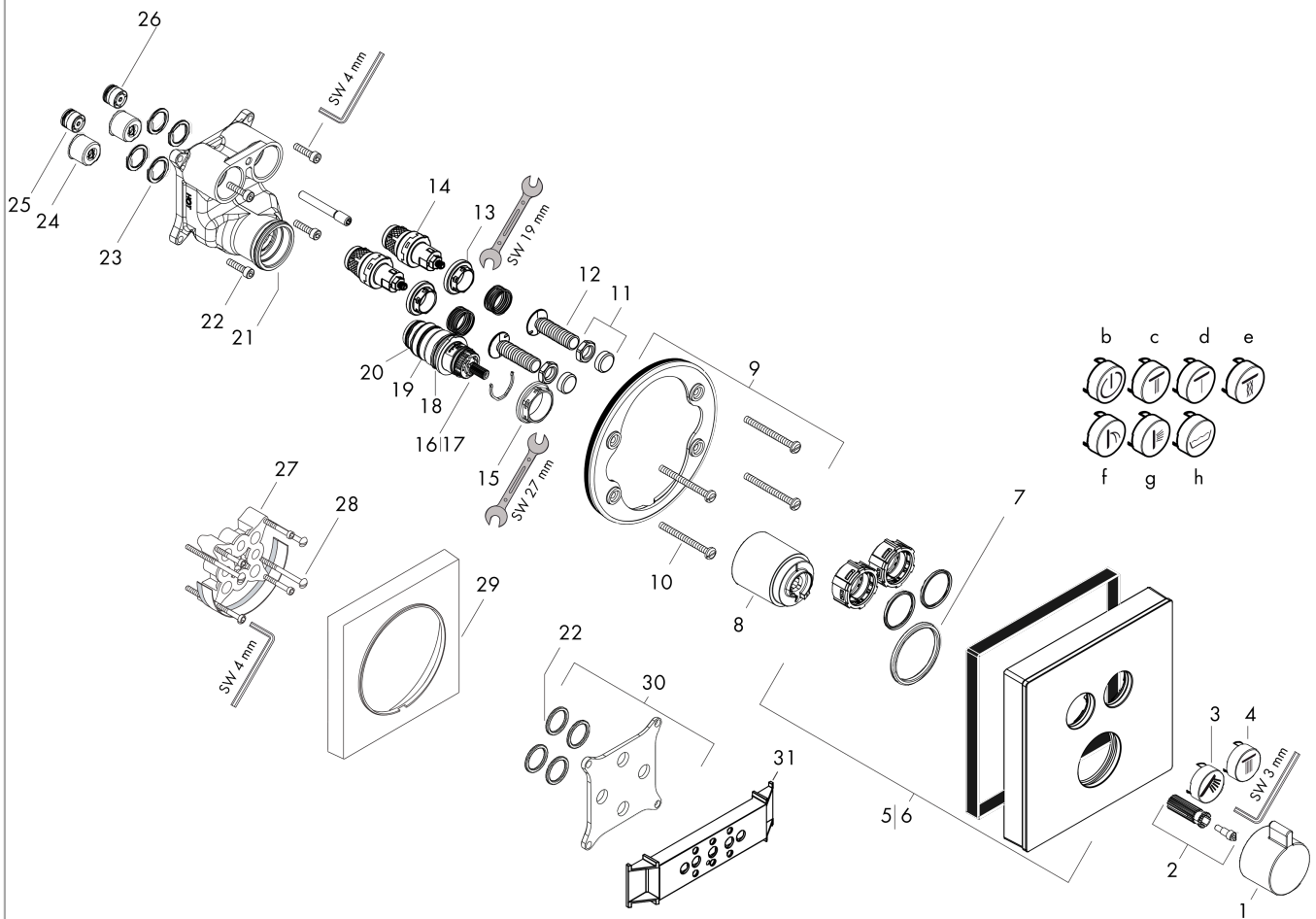


ShowerSelect Glass
Thermostat for concealed installation for 2 functions
 Finish: **White/Chrome** Article Number: **15738400**



Exploded Drawing

Year of production: >07/15



ShowerSelect Glass
Thermostat for concealed installation for 2 functions
 Finish: **White/Chrome** Article Number: **15738400**



Spare part list

Year of production: >07/15

Pos.	Description	Article Number	PC	PU
1	handle for thermostat	92215000	11	1
2	handle fixing set	95843000	3	1
3	symbol handshower	92573450	99	1
4	symbol head shower Rain large	92571450	99	1
5	escutcheon 155 / 155 mm	92623400	17	1
6	escutcheon for exchanged connections	92843400	16	1
7	O-ring 44x4	98471000	3	1
8	sleeve	92216000	8	1
9	holder for escutcheon	98793000	9	1
10	set of fixing screws	96454000	3	1
11	nut and flange	92696000	5	1
12	Select-adapter	92219000	2	1
13	nut	98368000	4	1
14	shut off unit	95758000	14	1
15	nut	98913000	6	1
16	thermostat cartridge	98282000	14	1
17	cartridge for exchanged connections	92373000	18	1
18	O-ring 25x2,5	92146000	3	1
19	O-ring 25x1,5	98146000	1	1
20	O-ring 20x1,5	98197000	1	1
21	O-ring 36x2	98156000	1	1
22	set of screws	96525000	3	1
23	O-ring 16x2	98133000	1	1
24	noise reduction	94073000	7	1
25	non return valve (pressure-resistant up to 2 MPa)	92594000	5	1
26	non return valve	97980000	5	1
27	extension 25 mm	13595000	99	1
28	set of fixing screws	97747000	1	1
29	extension 22 mm	13604000	99	1
30	compensation set 1°	95521000	16	1
31	fit-up aid	92540000	99	1
a	concealed item	01800180	99	1
b	symbol ON/OFF	92579450	99	1
c	symbol head shower Rain small	92572450	99	1
d	symbol Mono	92576450	99	1
e	symbol Whirl	92575450	99	1
f	symbol Flood jet	92574450	99	1
g	symbol body shower	92578450	99	1
h	symbol tub	92577450	99	1
i	Grease	90920000	5	1
j	shut off unit (special)	92361000	14	1