

Talis Select S
Basin mixer 100 without waste set
 Finish: **Chrome** Article Number: **72043000**



Description

product features

- ComfortZone 100
- projection: 93 mm
- spout height: 98 mm
- spray type: normal spray
- maximum flow rate at 3 bar: 5 l/min
- temperature limitation adjustable
- suitable for continuous flow water heaters
- connection type: G 3/8 connections
- connection dimension: DN15

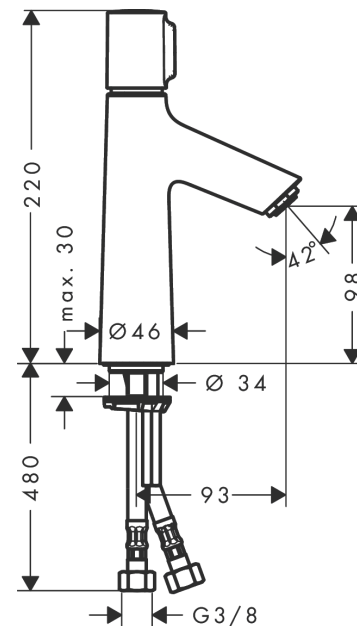
Technology



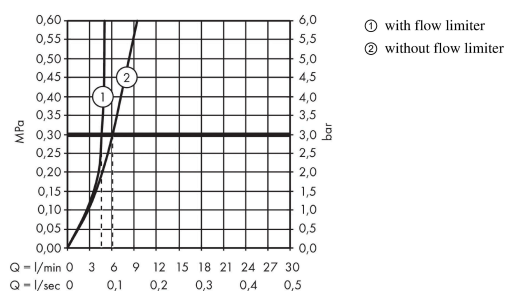
Product image



Scale drawing



Flowchart

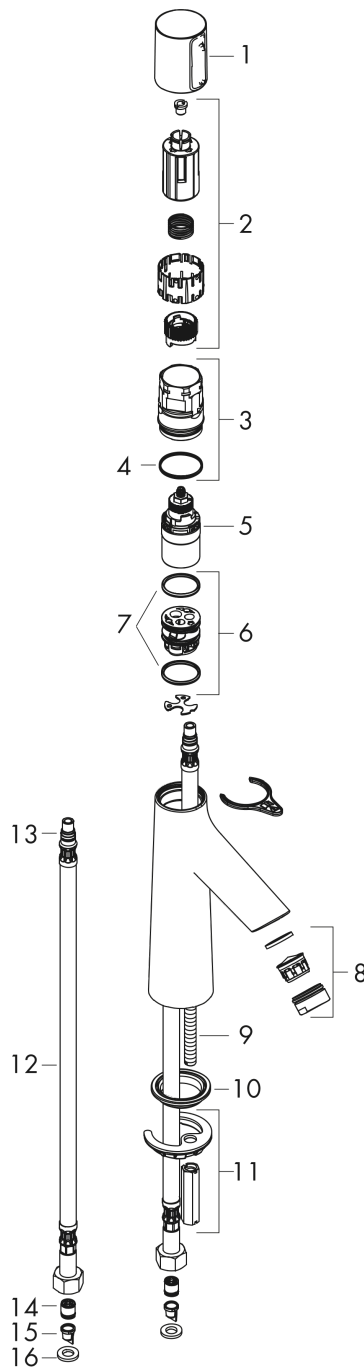


Talis Select S
Basin mixer 100 without waste set
 Finish: **Chrome** Article Number: **72043000**



Exploded Drawing

Year of production: >03/18



Talis Select S

Basin mixer 100 without waste set

Finish: **Chrome** Article Number: **72043000**



Spare part list

Year of production: >03/18

Pos.	Description	Article Number	PC	PU
1	handle	92525000	12	1
2	adapter for handle	92526000	7	1
3	nut	92528000	11	1
4	O-ring 27x1,5	92527000	4	1
5	cartridge, assy	92529000	14	1
6	adapter for cartridge	98866000	8	1
7	O-ring 23x2	98398000	1	1
8	aerator M24x1 (5 l/min)	13185000	99	1
9	screw M8 x 68	97736000	2	1
10	seal Ø 42	98722000	2	1
11	fixing set	96016000	8	1
12	connection hose 600 mm M8x0,75 G3/8	95664000	8	1
13	O-ring 7x1,5	98422000	1	1
14	sealing set	92533000	1	1
15	filter	92532000	3	1
16	non return valve DW 10	96456000	3	1