

Metris S

Electronic basin mixer with temperature control mains connection 230 V

Finish: **Chrome** Article Number: **31102000**



Description

product features

- ComfortZone 150
- projection: 128 mm
- spray type: normal spray
- maximum flow rate at 3 bar: 5 l/min
- temperature limitation adjustable
- temperature adjustable via mixer lever on the side
- non-return valve
- suitable for continuous flow water heaters
- infrared sensor technology
- automatic environmental adjustment of infrared sensor
- adjustable optical range of infrared sensor (2 settings)
- 230 V / 50 Hz mains connection
- running time: 10 s
- hygiene rinse activatable (automatic water flow)
- frequency of hygiene rinse: 24 h
- flushing time hygiene rinse: 10 s
- permanent rinse activatable (single water flow for 180 seconds, suitable for thermal disinfection)
- cleaning mode: manual water stop for washbasin cleaning
- connection dimension: DN15
- TÜV certified
- dirt filters in the connection hoses

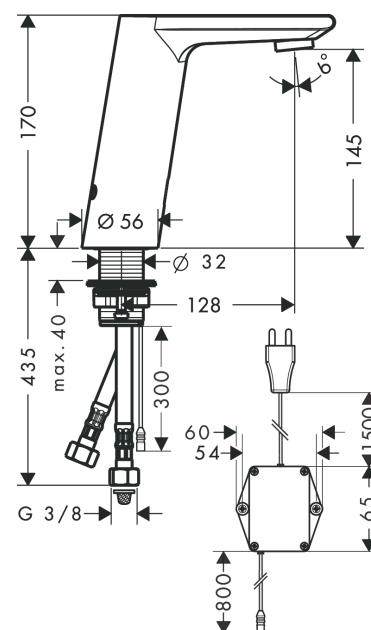
Technology



Product image



Scale drawing



Metris S

Electronic basin mixer with temperature control mains connection 230 V

Finish: **Chrome** Article Number: **31102000**



Flowchart

