

Talis S

Single lever basin mixer for concealed installation wall-mounted with spout 22.5 cm

Finish: **Chrome** Article Number: **72111000**



Description

product features

- consists of: single lever basin mixer for concealed installation wall-mounted, waste set
- projection: 225 mm
- spray type: normal spray
- maximum flow rate at 3 bar: 5 l/min
- ceramic cartridge
- temperature limitation adjustable
- suitable for continuous flow water heaters
- non-closing waste set
- material waste set: metal
- connection type: basic set
- connection dimension: DN15
- handle can be positioned on the right or left, depending on the basic set installation

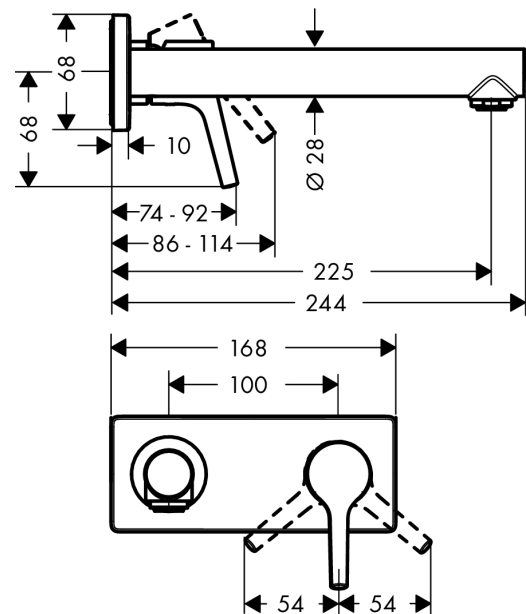
Technology



Product image



Scale drawing



Talis S

Single lever basin mixer for concealed installation wall-mounted with spout 22.5 cm

Finish: **Chrome** Article Number: **72111000**



Flowchart



Talis S

Single lever basin mixer for concealed installation wall-mounted with spout 22.5 cm

Finish: **Chrome** Article Number: **72111000**



Installation examples

