

Talis E
Single lever shower mixer for concealed installation
 Finish: **Matt Black** Article Number: **71765673**



Description

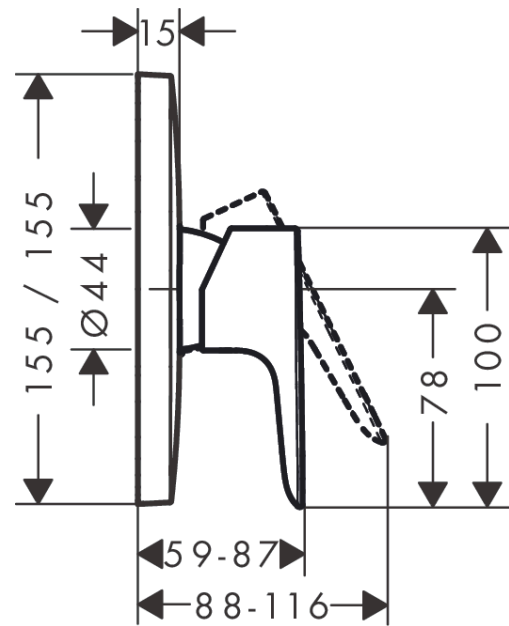
product features

- 1 function
- maximum flow rate at 3 bar: 31 l/min
- ceramic cartridge
- temperature limitation adjustable
- with silencer
- suitable for continuous flow water heaters
- connection dimension: DN15
- connection type: basic set

Product image



Scale drawing



Flowchart

