

MB02 BASIN MIXER

meir®

MATTE BLACK
MB02

CHROME
MB02-C

CHAMPAGNE
MB02-CH

**TIGER
BRONZE**
MB02-BB

**BRUSHED
NICKEL**
MB02-PVDBN

**AVAILABLE
FINISHES**



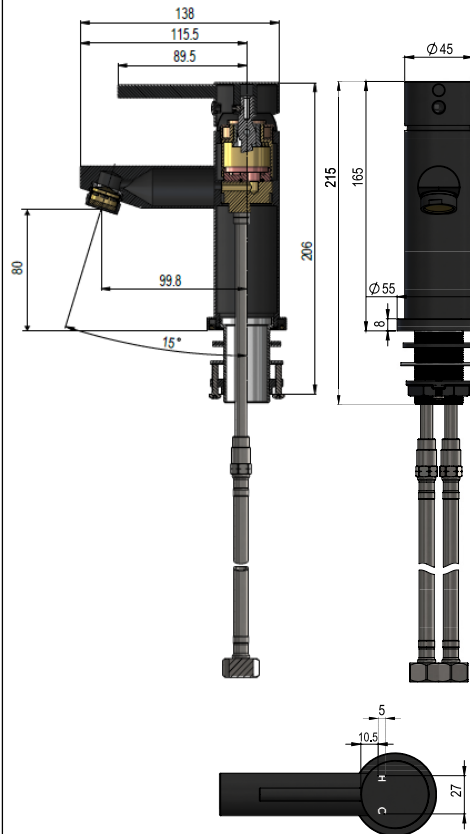
FEATURES

- 10 Year warranty
- Flow rate 5L p/m
- European ceramic cartridge
- Solid brass construction
- Box Weight 1.5 kg

CARE

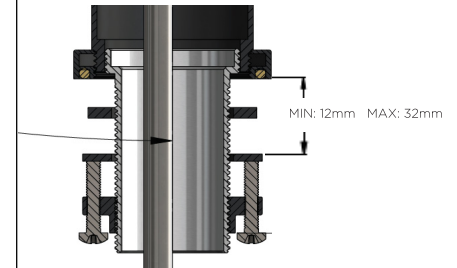
- Do not install tapware using any form of acetone silicones.
- Do not apply physical items (such as tools) directly to product.
- Never use house-hold or commercial detergents, citrus based cleaners, or abrasive cleaners.
- Clean using a mild washing soap solution rinsed, and dry with a soft cloth.
- Check for any product defects before installation.
- Refer to the installation manual for correct installation.

SPECIFICATIONS



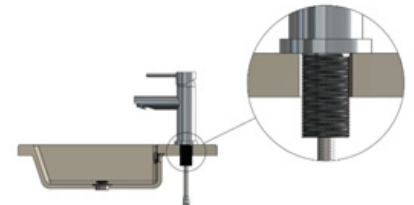
TOLERANCES

Surface Tolerance

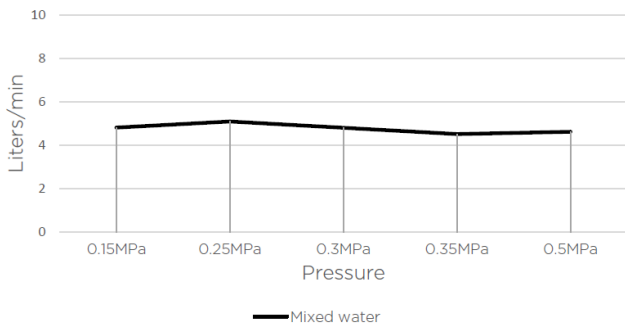


Hole Diameter

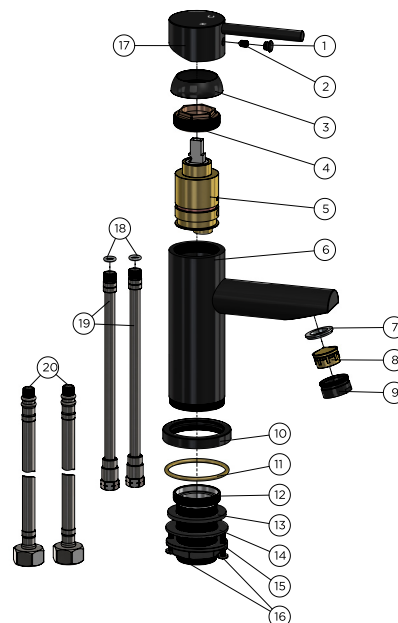
MIN: 34mm MAX: 42mm



FLOW RATE GRAPH



EXPLODED VIEW



1. Decor knob
2. Screw
3. Decor cover
4. Nut
5. D35 cartridge
6. Welding body
7. Flat washer
8. Aerator
9. Aerator shell
10. Base
11. O-ring
12. Thread tube
13. Flat washer
14. Washer
15. Mount nut
16. Bolt
17. Handle
18. O-ring
19. Connecting tube
20. Inlet hose or knob

CREDENTIALS

- WaterMark AS/NZS 3718:2005
- 5-star WELS rated
- 5 litres p/minute
- WELS registration No: T16781