

Talis E

Single lever basin mixer 110 without waste set

Surfaces: **Polished Gold Optic** Article Number: **71712990**



Description

product features

- ComfortZone 110
- projection: 112 mm
- spout height: 104 mm
- maximum flow rate at 3 bar: 5 l/min
- ceramic cartridge
- temperature limitation adjustable
- suitable for continuous flow water heaters
- connection type: G 3/8 connections
- connection dimension: DN15

Technology



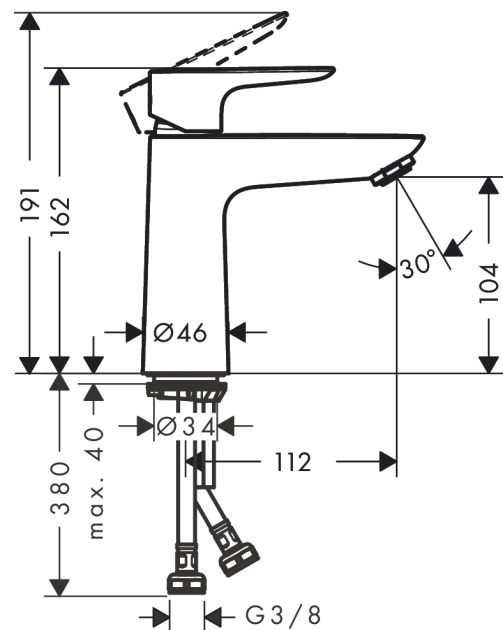
Design awards



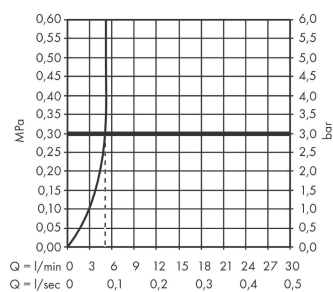
Product image



Scale drawing



Flowchart

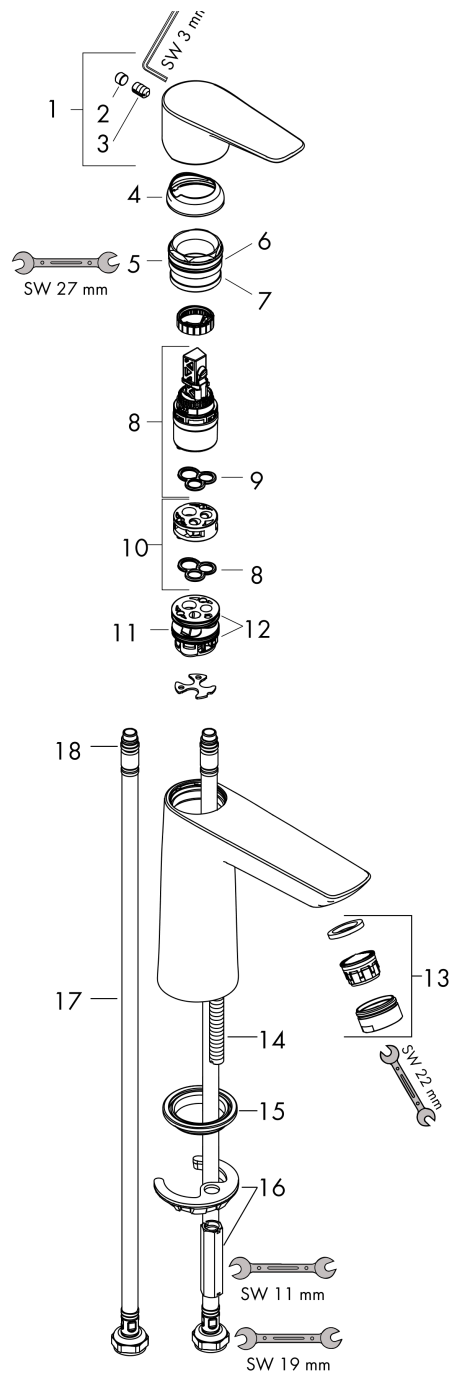


Talis E
Single lever basin mixer 110 without waste set
 Surfaces: **Polished Gold Optic** Article Number: **71712990**



Exploded Drawing

Year of production: >06/20



Talis E**Single lever basin mixer 110 without waste set**Surfaces: **Polished Gold Optic** Article Number: **71712990****Spare part list**

Year of production: >06/20

Pos.	Description	Article Number	Price	PU
1	handle	92687990	€ 67,00	1
2	hollow set screw M6x10 DIN 916	96029000	€ 3,21	1
3	screw cover	95704000	€ 3,21	1
4	flange	92625990	€ 42,36	1
5	nut	92689000	€ 22,37	1
6	O-ring 25x1,5	98146000	€ 3,21	1
7	O-ring 27x1,5	92527000	€ 11,31	1
8	cartridge, assy	97685000	€ 57,12	1
9	seal	98865000	€ 28,20	1
10	adapter for cartridge	92628000	€ 18,33	1
11	adapter for cartridge	98866000	€ 28,20	1
12	O-ring 23x2	98398000	€ 3,21	1
13	aerator M24x1 (5 l/min)	13185990	€ 44,63	1
14	screw M8 x 68	97736000	€ 5,24	1
15	seal	97608000	€ 5,24	1
16	fixing set	96016000	€ 28,20	1
17	connection hose 450 mm M8x0,75 G3/8	97206000	€ 28,20	1
18	O-ring 6,6x1,6	93019000	€ 3,21	1