

Croma Select E

Overhead shower 180 2jet

Surfaces: **Chrome** Article Number: **26524000**



Description

product features

- shower head size: 187 x 187 mm
- spray type: Rain, IntenseRain
- Select button on overhead shower
- ball-joint: overhead shower angle adjustable
- material spray disc: plastic
- maximum flow rate at 3 bar: 17 l/min
- flow rate Rain spray (at 3 bar): 17 l/min
- flow rate IntenseRain spray (at 3 bar): 16 l/min
- minimum flow pressure: 1 bar
- spray disc removable for cleaning
- installation: ceiling or wall
- connection thread G 1/2
- connection dimension: DN15
- suitable for continuous flow water heaters

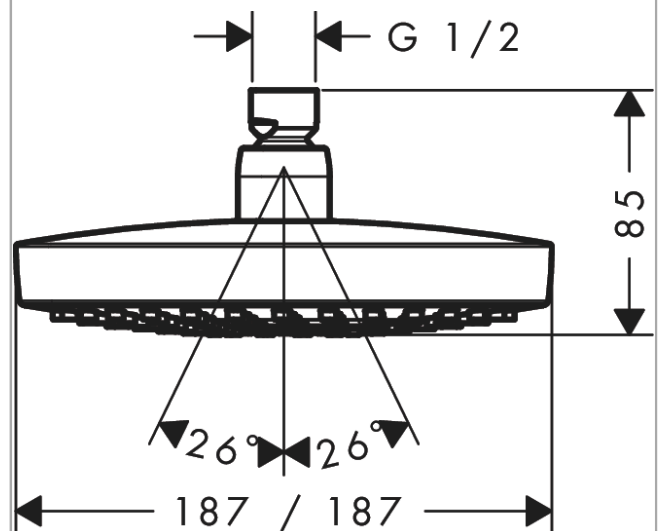
Technology



Product image



Scale drawing

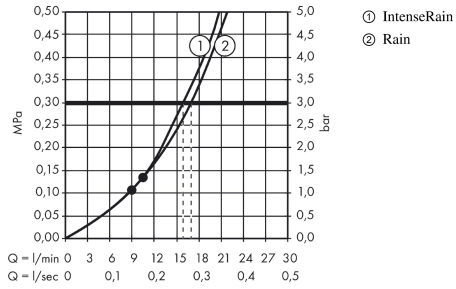


Croma Select E
Overhead shower 180 2jet

Surfaces: **Chrome** Article Number: **26524000**



Flowchart



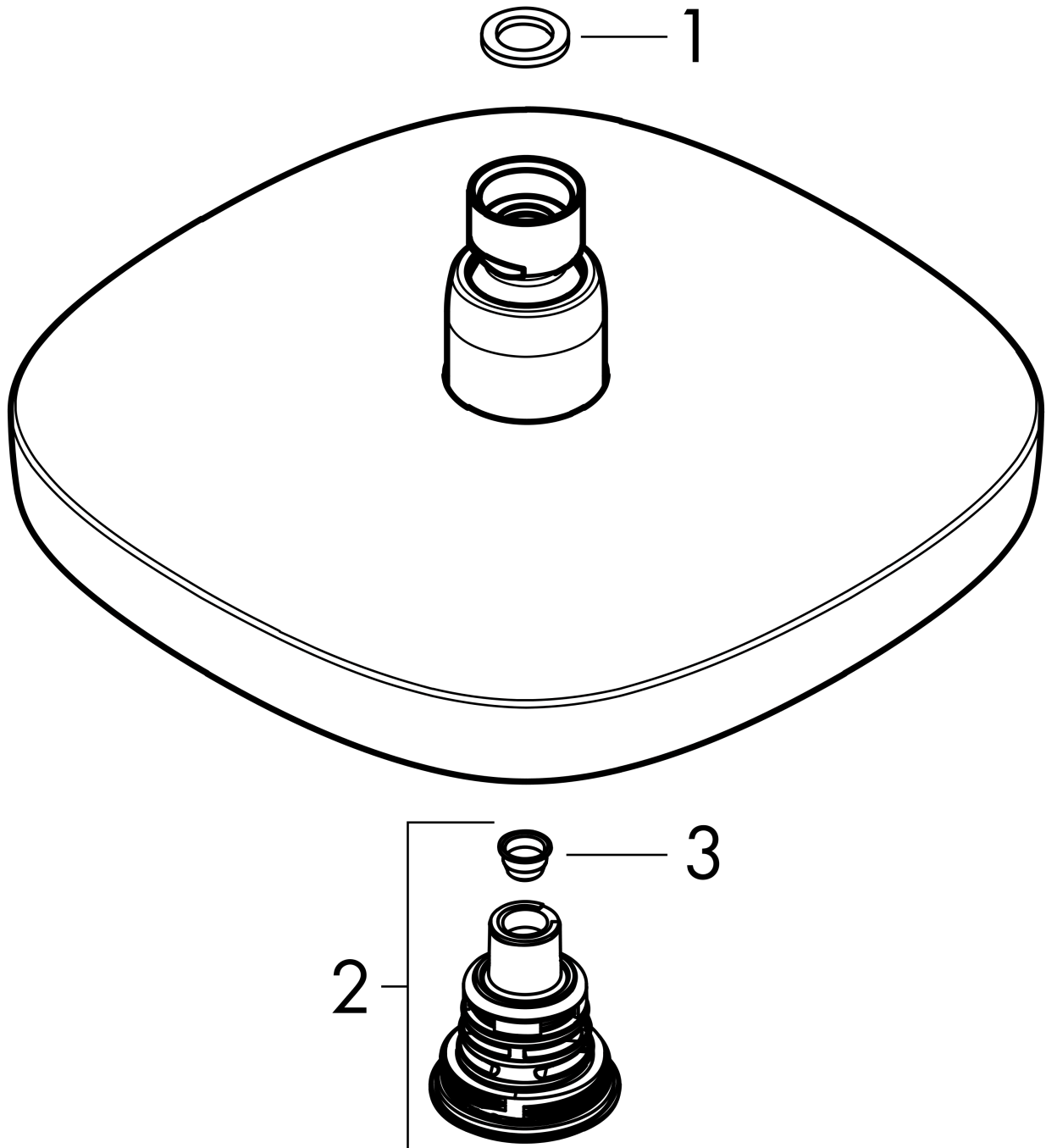
The consumption was measured in combination with the appropriate fittings (thermostat/mixer/in-wall valve) to reflect actual application in practice.

Croma Select E
Overhead shower 180 2jet
 Surfaces: **Chrome** Article Number: **26524000**



Exploded Drawing

Year of production: >02/18



**Croma Select E
Overhead shower 180 2jet**

Surfaces: **Chrome** Article Number: **26524000**



Spare part list

Year of production: >02/18

Pos.	Description	Article Number	Price	PU
1	seal	98058000	€ 3,21	1
2	selector assy	98343000	€ 70,57	1
3	filter	97735000	€ 3,21	1