

Rainfinity

Overhead shower 360 3jet with wall connector

Surfaces: **Matt White** Article Number: **26234700**



Description

product features

- consists of: overhead shower, wall connector
- shower head size: 360 mm
- spray type: PowderRain, Intense PowderRain, RainStream
- projection 381 mm
- middle spray disc: 205 mm
- frame: metal
- material spray disc: aluminium
- spray disc surface: graphite
- shower head vertically inclinable by 10-30°
- maximum flow rate at 3 bar: 28,1 l/min
- flow rate PowderRain spray (at 3 bar): 20 l/min
- flow rate Intense PowderRain (at 3 bar): 18 l/min
- flow rate RainStream spray (at 3 bar): 16 l/min
- function from: 12,2 l/min
- minimum flow pressure: 1,7 bar
- the 3 spray zones must be controlled via 3 valves or a diverter valve with 3 outlets
- overhead shower removable for cleaning
- installation: wall-mounted - for installation on iBox
- connection dimension: DN15
- not suitable for continuous flow water heaters

Technology



Design awards



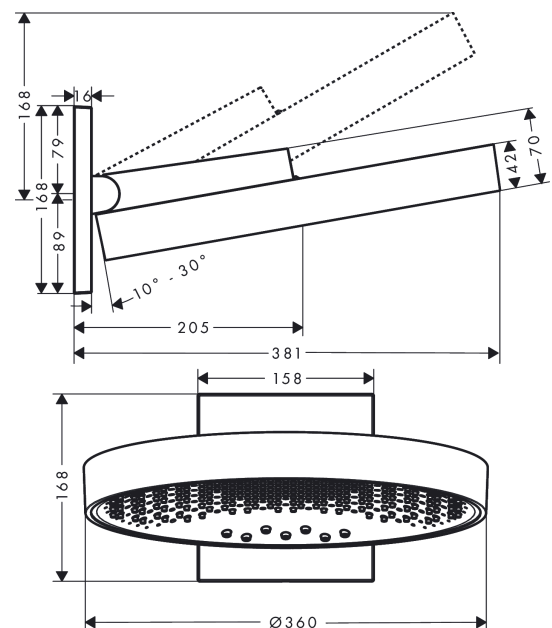
Certificates



Product image



Scale drawing



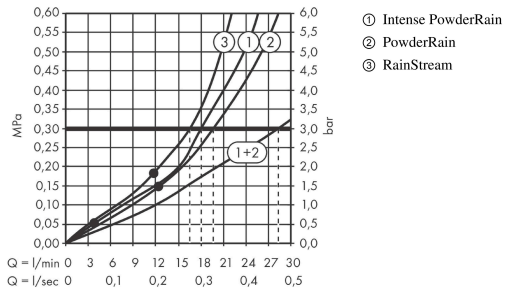
Rainfinity

Overhead shower 360 3jet with wall connector

Surfaces: **Matt White** Article Number: **26234700**



Flowchart



The consumption was measured in combination with the appropriate fittings (thermostat/mixer/in-wall valve) to reflect actual application in practice.

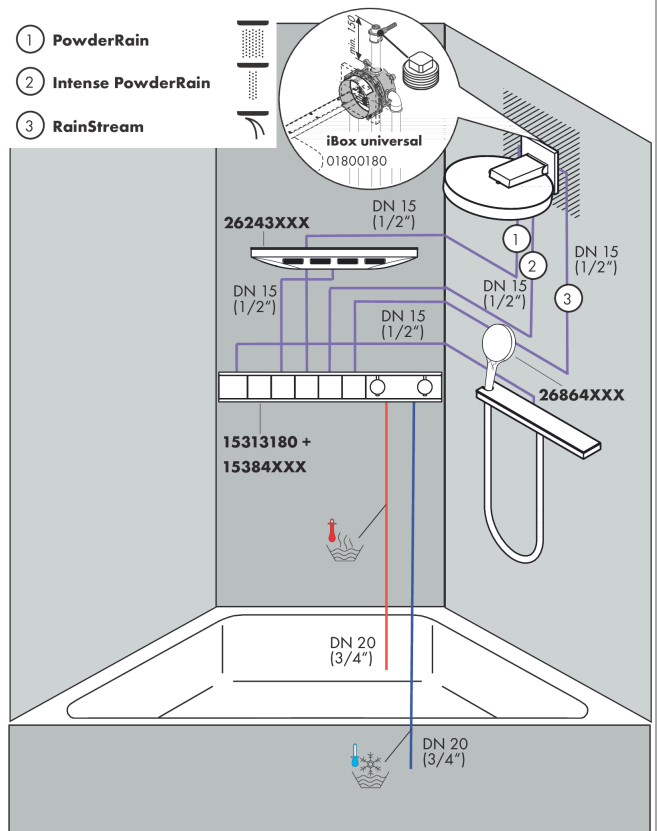
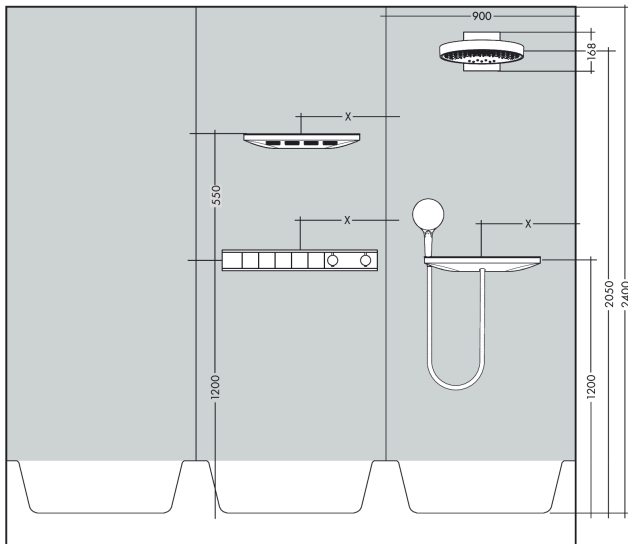
Rainfinity
Overhead shower 360 3jet with wall connector
 Surfaces: **Matt White** Article Number: **26234700**



Installation examples

Rainfinity 360 3jet
 26234XXX

Rainfinity 250 3jet
 26232XXX



Rainfinity

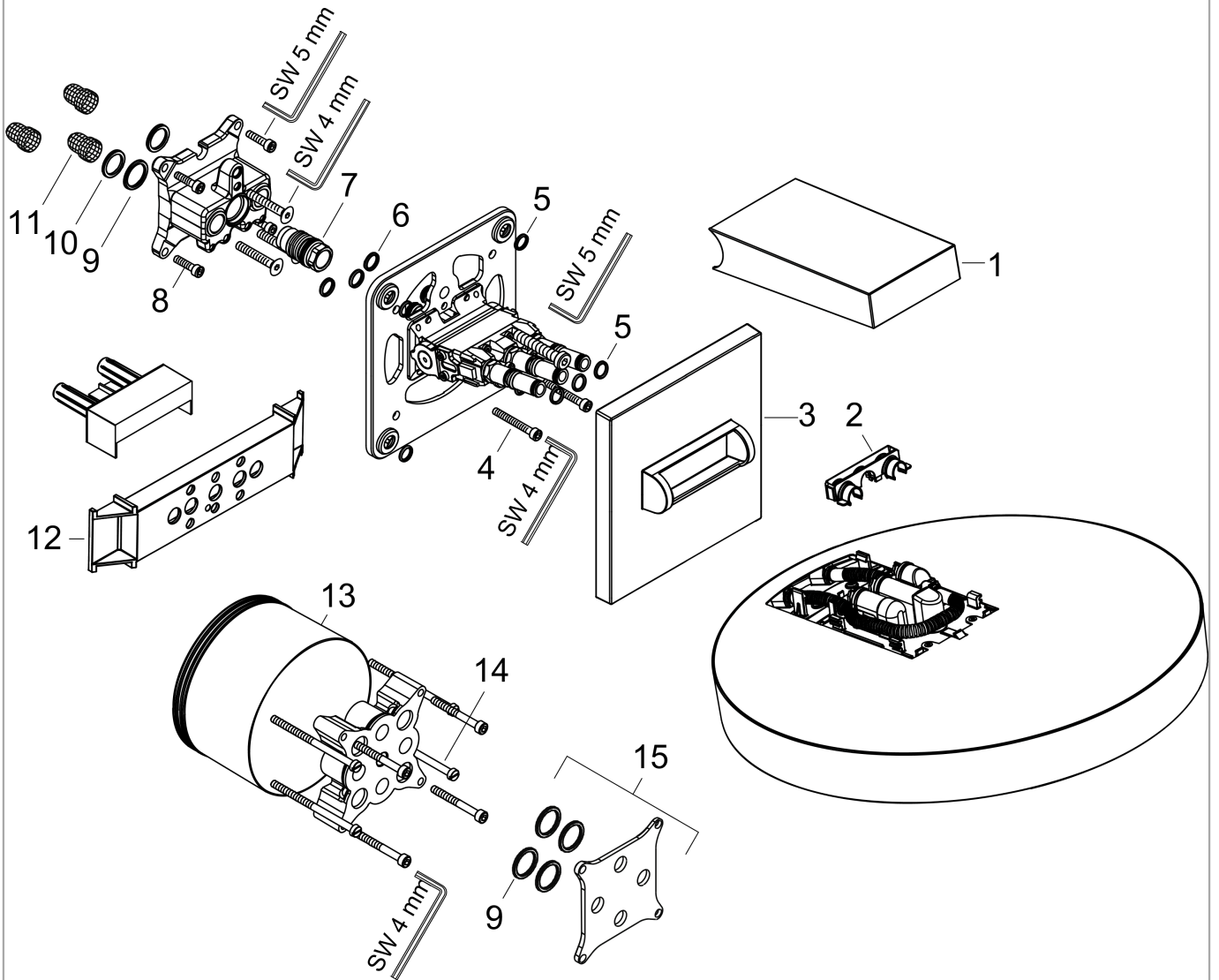
Overhead shower 360 3jet with wall connector

Surfaces: **Matt White** Article Number: **26234700**



Exploded Drawing

Year of production: >07/19



Rainfinity**Overhead shower 360 3jet with wall connector**Surfaces: **Matt White** Article Number: **26234700****Spare part list**

Year of production: >07/19

Pos.	Description	Article Number	Price	PU
1	cover	93524700	€ 53,91	1
2	cramp	93525000	€ 11,31	1
3	hexagon socket screw M5x40	97673000	€ 5,24	1
4	escutcheon	93523700	€ 67,00	1
5	O-ring 9x2	98119000	€ 3,21	1
6	O-ring 10x2	98170000	€ 3,21	1
7	O-ring 17x2	98199000	€ 3,21	1
8	set of screws	96525000	€ 8,45	1
9	O-ring 18x2	98181000	€ 5,24	1
10	O-ring 16x2	98133000	€ 3,21	1
11	filter	98513000	€ 3,21	1
12	fit-up aid	92540000	-	1
13	extension 25 mm	13595000	-	1
14	set of fixing screws	97747000	€ 3,21	1
15	compensation set 1°	95521000	€ 162,08	1