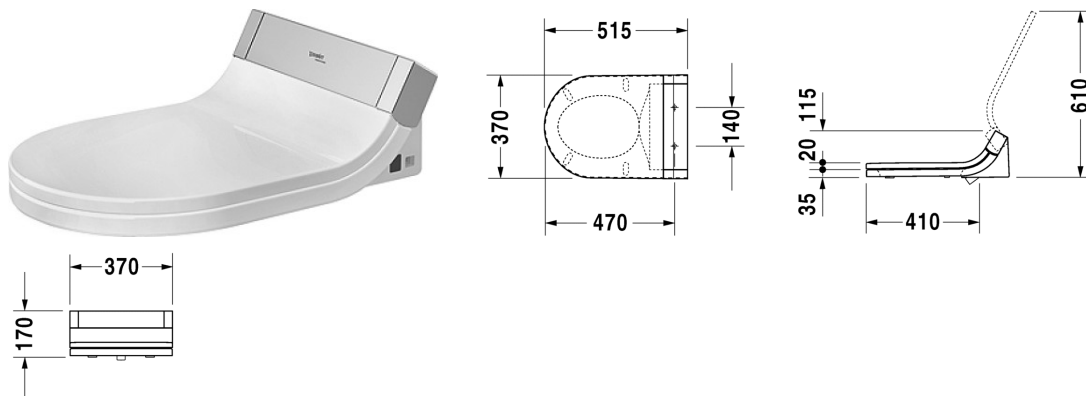


SensoWash Starck C shower toilet seat # 610001..10 / 610001..20

|< 370 mm >|



SensoWash Starck C shower toilet seat	Dimension	Weight	Order number
with concealed connections, Remote control included, Electromotive actuated seat and lid, Rear-, Lady- and Comfortwash, individual adjustment of water-, air- and seat temperature as well as spray wand position and water spray intensity, Self-cleaning spray wand, 2 individually programmable user profiles, Night light, Quick release: easy seat unit removal, on / off-button			
Colors			
00 White Alpin			
Variant			
	370 x 515 mm	6,400 kg	610001..10
	370 x 515 mm	6,400 kg	610001..20
Accessory			
One-piece toilet US-version, only in combination with SensoWash, elongated with syphonic jet action, 305 mm/12" rough-in, with Single Flush piston valve, top flush, connecting elements for SensoWash with concealed connections included, vertical outlet, 1,28 gpf (4,8 lpf)	375 x 715 mm	57,000 kg	213351
Two-piece toilet (without cistern), US-version, only in combination with SensoWash, elongated with syphonic jet action, 305 mm/12" rough-in, connecting elements for SensoWash with concealed connections included, vertical outlet, 1,28 gpf (4,8 lpf)	370 x 700 mm	35,500 kg	212651
One-piece toilet US-version, only in combination with SensoWash, elongated with syphonic jet action, 305 mm/12" rough-in, with Single Flush piston valve, top flush, connecting elements for SensoWash with concealed connections included, vertical outlet, 1,28 gpf (4,8 lpf)	400 x 715 mm	48,300 kg	212351
Toilet close-coupled washdown model, only in combination with SensoWash, (without cistern), Outlet for Vario connector set, for horizontal and vertical outlet, length adjustable from 70 - 200 mm, and vario connecting bend, vertical outlet from 200 - 240 mm, connecting elements for SensoWash with concealed connections included, fixings included	370 x 725 mm	39,000 kg	212959
Toilet wall mounted washdown model, only in combination with SensoWash, connecting elements for SensoWash with concealed connections included, Durafix included	375 x 620 mm	29,000 kg	253359
Toilet wall mounted washdown model, only in combination with SensoWash, connecting elements for SensoWash with concealed connections included, Durafix included	370 x 620 mm	27,400 kg	254459

SensoWash Starck C shower toilet seat # 610001..10 / 610001..20

|< 370 mm >|

One-piece toilet US-version, only in combination with SensoWash, elongated with syphonic jet action, 305 mm/12" rough-in, with Single Flush mechanism, with side lever, 3"/80 mm flapper valve, connecting elements for SensoWash with concealed connections included, vertical outlet, 1,28 gpf (4,8 lpf)	370 x 715 mm	52,100 kg	212051
Two-piece toilet (without cistern), US-version, only in combination with SensoWash, elongated, 305 mm/12" rough-in, connecting elements for SensoWash with concealed connections included, vertical outlet, 1,28 gpf (4,8 lpf)	370 x 705 mm	38,900 kg	212551
Toilet wall mounted washdown model, only in combination with SensoWash, connecting elements for SensoWash with concealed connections included, Durafix included	370 x 620 mm	29,000 kg	222659
Toilet close-coupled washdown model, only in combination with SensoWash, (without cistern), connecting elements for SensoWash with concealed connections included, fixings included	370 x 705 mm	34,300 kg	214159

All drawings contain the necessary measurements which are subject to standard tolerances. They are stated in mm and are non-binding. Exact measurements, in particular for customised installation scenarios, can only be taken from the finished ceramic piece.