

# LIQUIDRED



## INTEGRITY LR3132 GLASS TUMBLER +HOLDER

Wall Fixings Supplied:  
**Masonry**

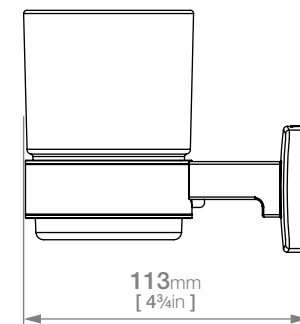
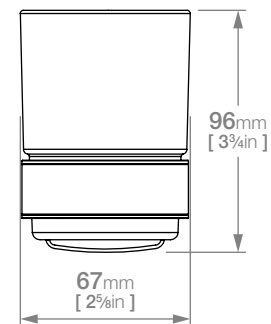
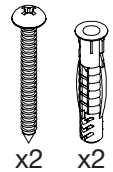


**Code:** BALR3132CHRM  
**Finish:** Polished Chrome



**Code:** BALR3132MBLK  
**Finish:** Matt BLACK

Original UX Fischer®  
Wall Plug supplied.



Dimensions given are in mm and inches. LIQUIDRed® reserves the right to alter and /or remove designs from time to time without prior notice.  
This drawing is to be used for reference purposes only. E &O.E.

Wonder-Mount is a patented mounting system: SA Patent 2016/02563

Copyright LIQUIDRED® 2019

South Africa - Tel: 0860 104 653, Email: [info@liquid-red.com](mailto:info@liquid-red.com), Web: [www.liquid-red.co.za](http://www.liquid-red.co.za)  
USA - Tel: 321 888 3001, Email: [info@liquid-red.com](mailto:info@liquid-red.com), Web: [www.liquid-red.com](http://www.liquid-red.com)

Document version **011**  
Product version **032**