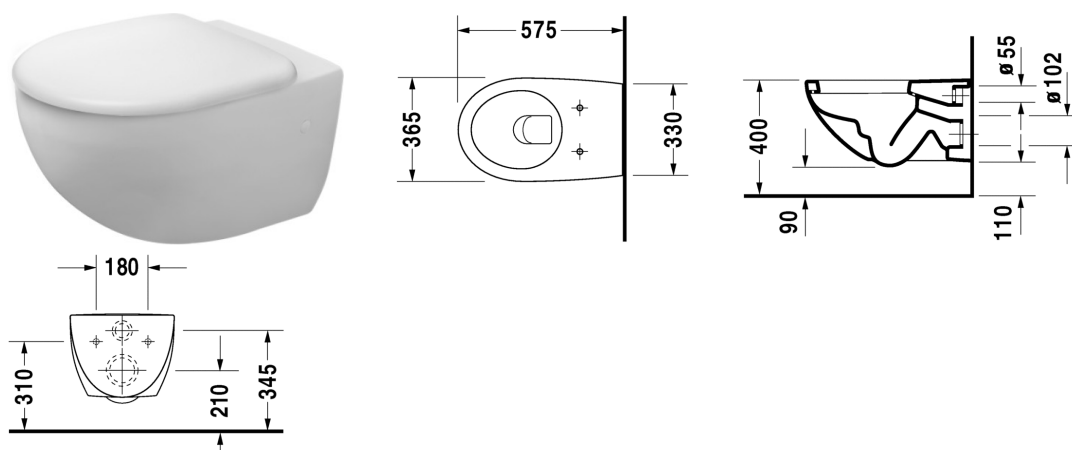


Toilet wall mounted # 254609..64 / 254609..64

| < 365 mm > |



| Toilet wall mounted | Dimension | Weight | Order number |
|---|---------------|-----------|----------------------------|
| washdown model, Durafix included, UWL class 1 | | | |
| Colors | | | |
| 00 White Alpin 20 HygieneGlaze (an antibacterial ceramic glaze that provides almost indefinite effectiveness) | | | |
| Variant | | | |
| ♣ 4,5 litre flush | 365 x 575 mm | 23.000 kg | 254609..64 |
| ♣ 4,5 litre flush | 365 x 575 mm | 23.000 kg | 254609..64 |
| Infobox | | | |
| Durafix for concealed fixation is included in delivery, Pre-wall elements with odour extractors are not recommended | | | |
| Accessory | | | |
| Noise reduction gasket | | | Schallschutz-Set 005090 |
| Fixing for wall mounted bidet and wall mounted toilet | Ø 12 x 180 mm | 0.200 kg | 006500 |
| Suitable products | | | |
| Toilet seat and cover removable, wrap over, hinges stainless steel, with automatic closure, | | | 006969 |
| Toilet seat and cover removable, wrap over, hinges stainless steel, without automatic closure, | | | 006961 |

All drawings contain the necessary measurements which are subject to standard tolerances. Exact measurements, in particular for customised installation scenarios, can only be taken from the finished ceramic piece.