

## Product information sheet MIDA

Item no. 519415

### Benefits

---



- Gently rounded spout on a slender body
- For the easy filling of tall pots and vases
- Enlarged working radius thanks to the 360° swivel spout

### Colours

---



Available colours:

- black
- anthracite
- rock grey
- alu metallic
- pearl grey
- white
- jasmine
- champagne
- tartufo
- coffee

SILGRANIT-Look anthracite

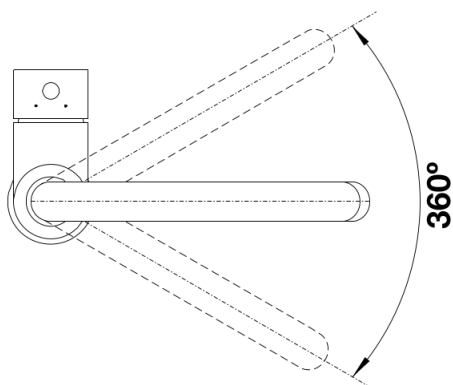
## Scope of supply

---

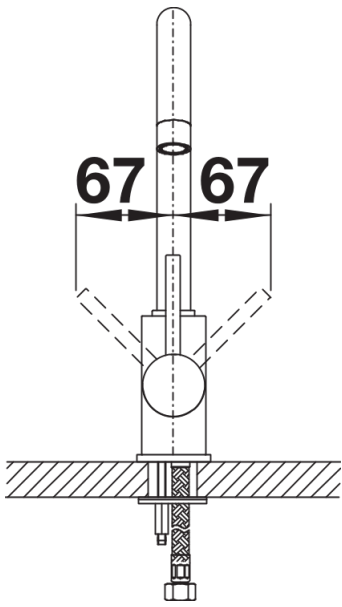
- Single-lever mixer tap
- 360° swivel spout for greater reach
- Ø 35 mm tap hole required
- With ceramic disk cartridge
- Flexible connector pipes, 350 mm long and  $\frac{3}{8}$ " nut for particularly easy installation
- LGA approved
- DVGW approved

## Details

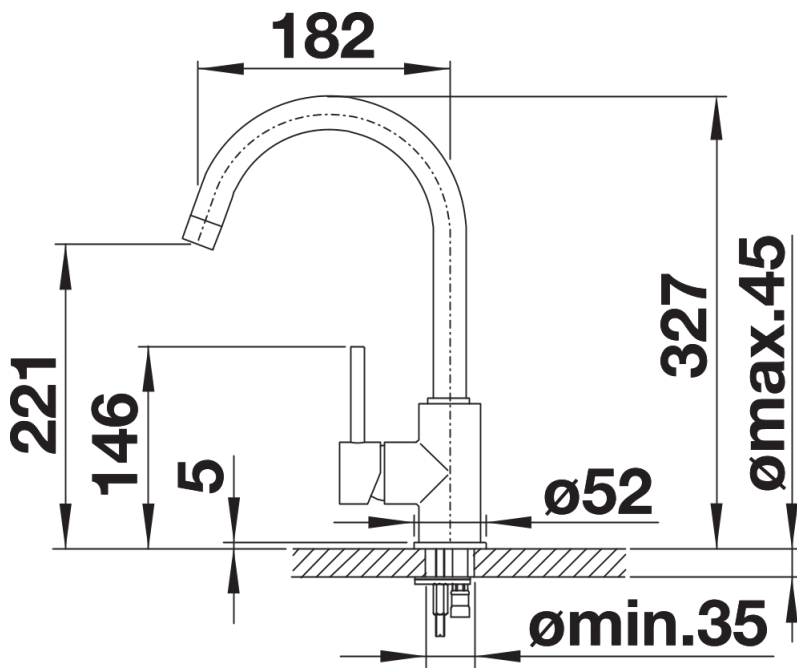
---



## Swivel range



Side view hand gear 2D



Side view