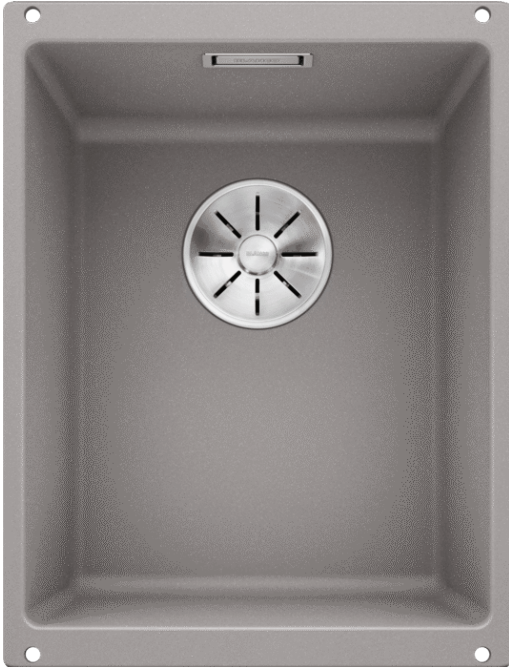


Product information sheet SUBLINE 320-U

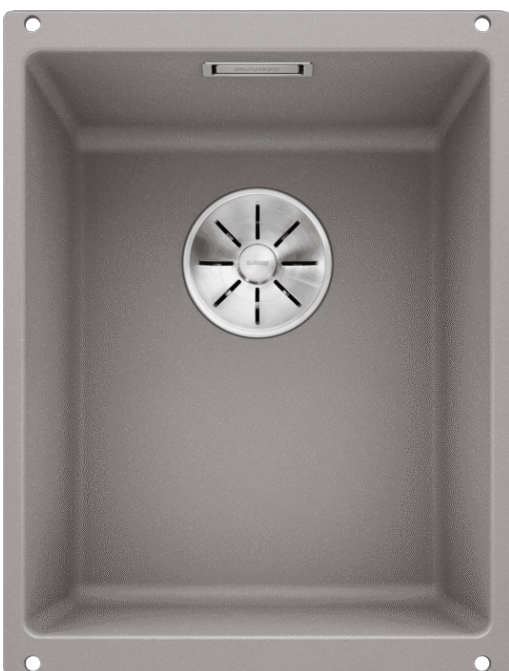
Item no. 523408

Benefits



- Undermount bowl for discerning demands on design
- Timelessly elegant, contoured bowl design
- Entire system for a wide variety of plans featuring large and small bowls
- High-quality features with covered C-overflow and InFino drain system – elegantly integrated and extremely easy-care
- Optional versatile accessories are available

Colours



Available colours:

black
anthracite
rock grey
alu metallic
pearl grey
white
jasmine
champagne
tartufo
coffee

SILGRANIT alu metallic

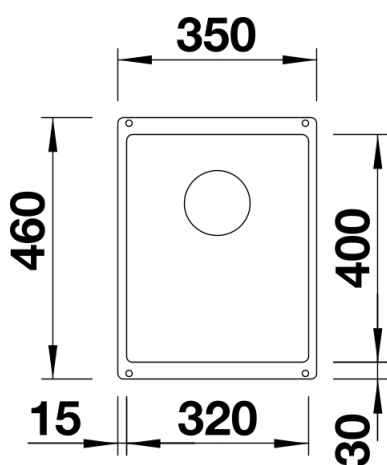
Planning information

- Cut-out radius: 10 mm
- Note: The appropriate waste kit is included in the delivery of individual bowls.

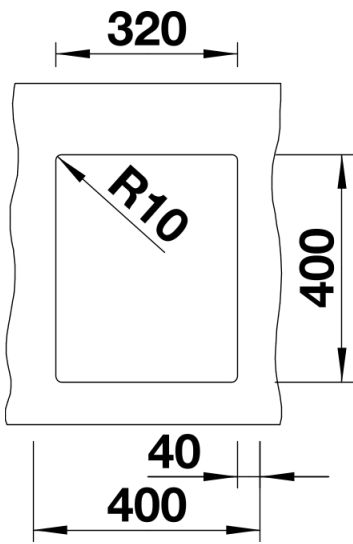
Scope of supply

- waste kit with space-saving pipe
- 3 ½" InFino basket strainer
- fixing kit

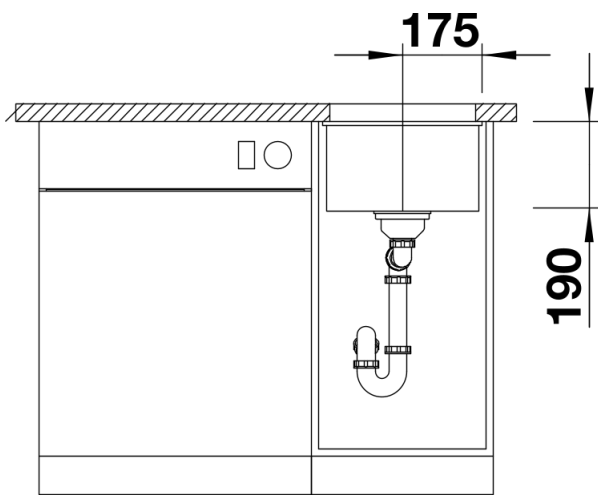
Details



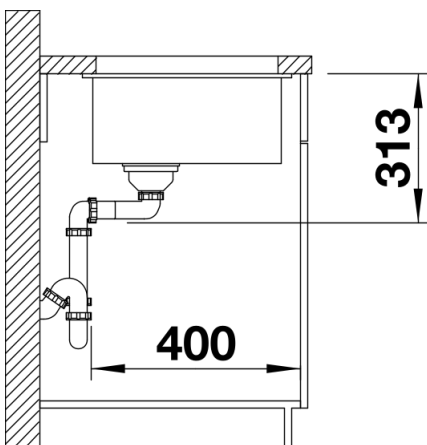
Top view



Cut-out



Front view



Side view