

Product information sheet LEXA 8 S

Item no. 524980

Benefits



- Modern sink unit for any kitchen ambience
- Harmonious design of outer contours and radii
- Generously proportioned, symmetrically designed bowls – ideal for extended cooking pleasure
- Elegant, large draining area with flowing transition to the bowl area
- High-quality features with InFino drain system - elegantly integrated and extremely easy-care
- Can be installed reversibly

Colours



SILGRANIT anthracite

Available colours:

- black
- anthracite
- rock grey
- alu metallic
- pearl grey
- white
- jasmine
- tartufo
- coffee

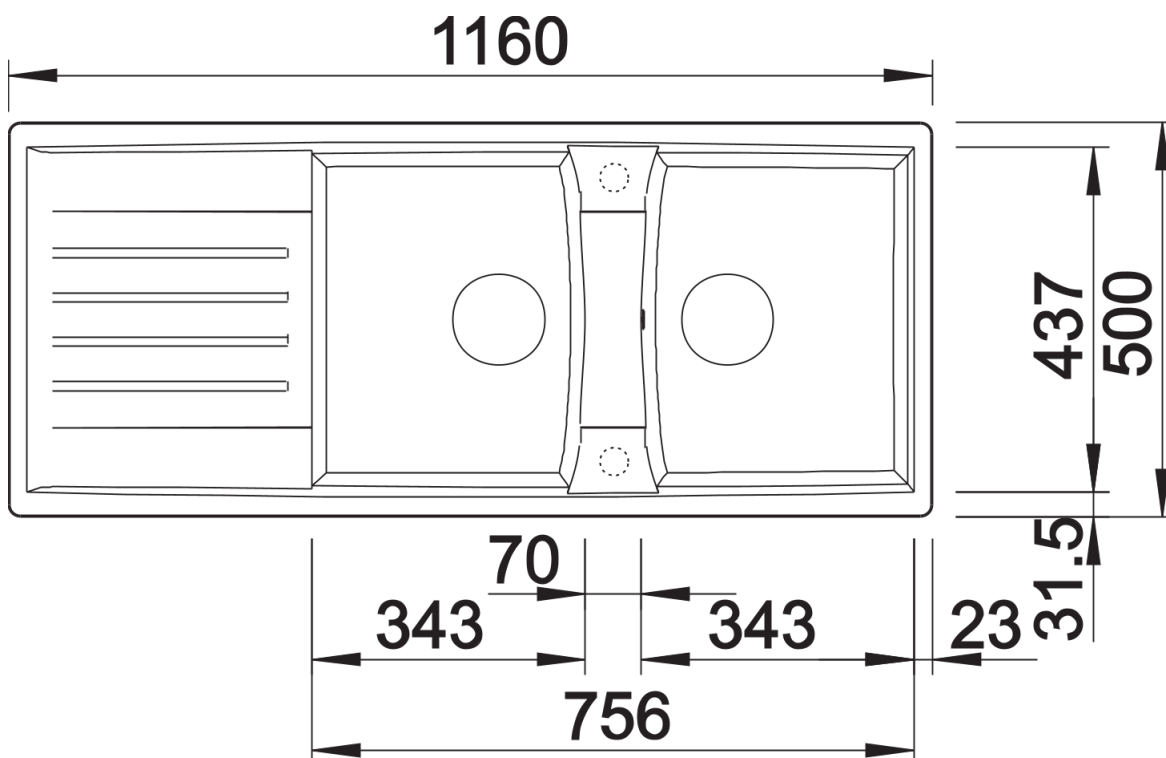
Planning information

- Special fixing elements are required for undermount installation.

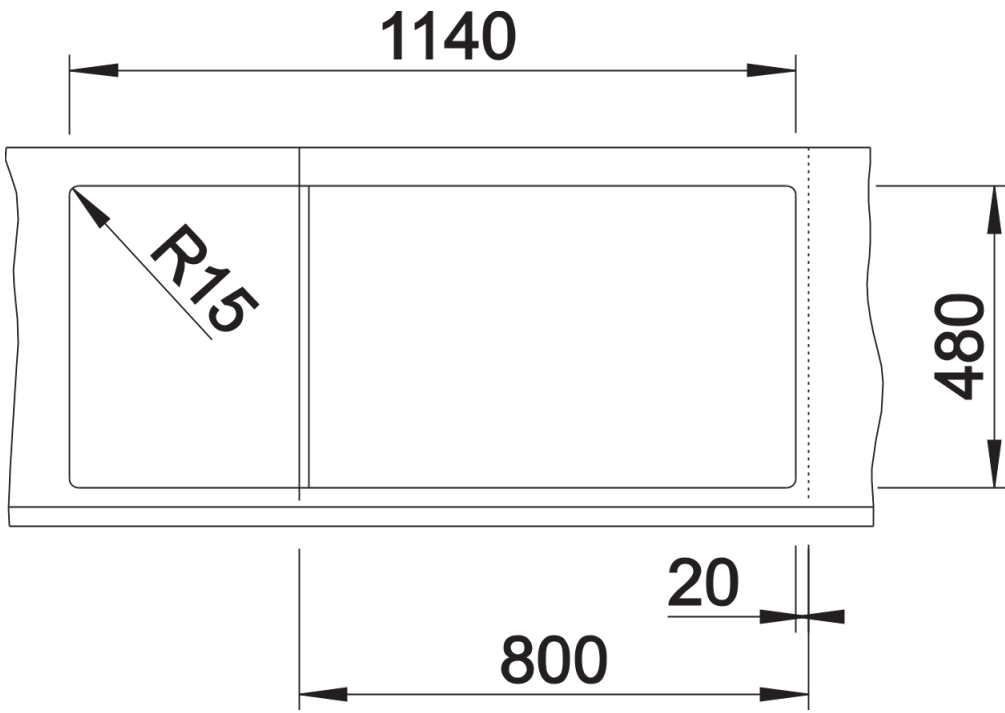
Scope of supply

- waste kit with space-saving pipe
- 2 x 3 ½" InFino basket strainer

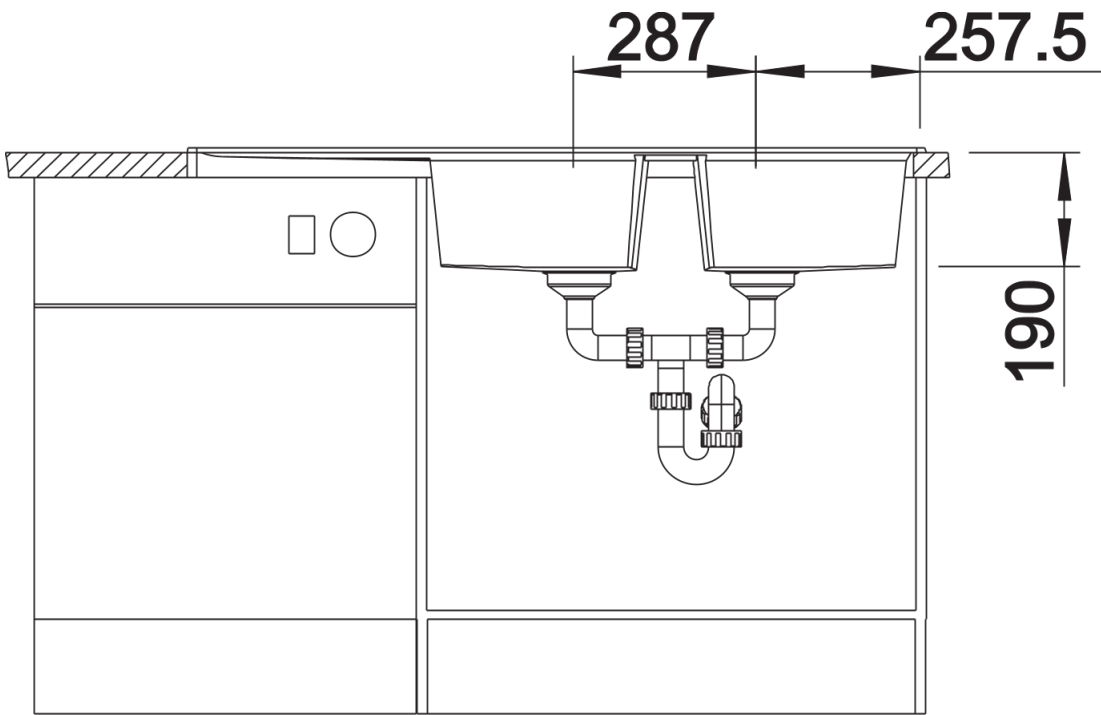
Details



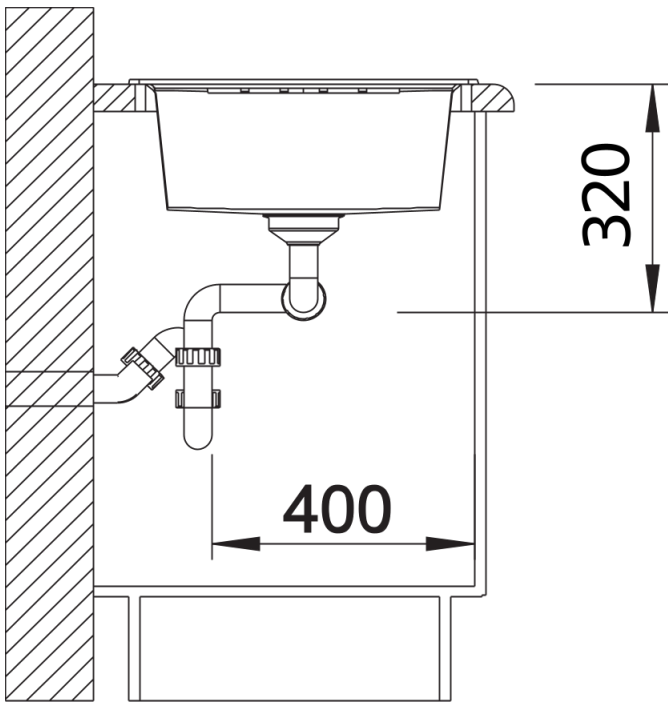
Top view



Cut-out



Front view



Side view