

Product information sheet ANDANO 500-U

Item no. 522968

Benefits

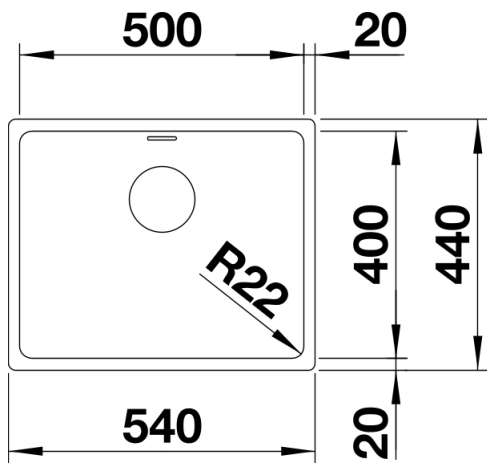


- Unique composition of optical and functional elements
- The harmonious interplay between the radii and surface design creates a modern appeal
- High quality features consisting of a covered C-overflow and InFino drain system – gracefully integrated and easy-care
- Large bowl capacity and fully utilisable base
- Optional premium accessories are available

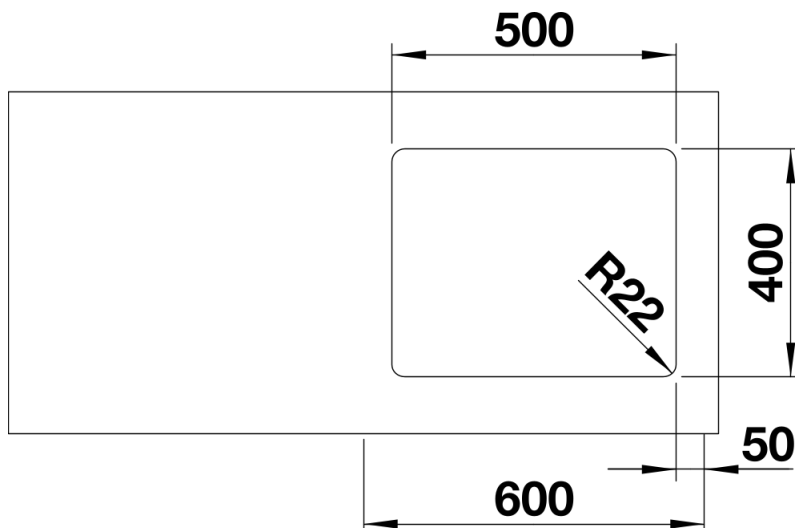
Scope of supply

- waste kit with space-saving pipe
- 3 ½" InFino basket strainer with drain remote control (pop-up)
- drill hole Ø 14 mm required)
- fixing kit

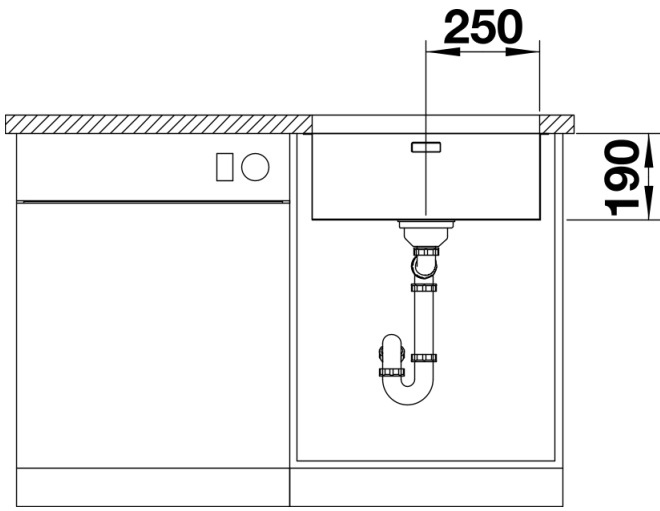
Details



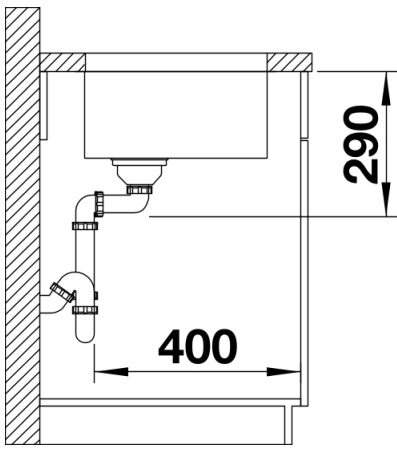
Top view



Cut-out



Front view



Side view