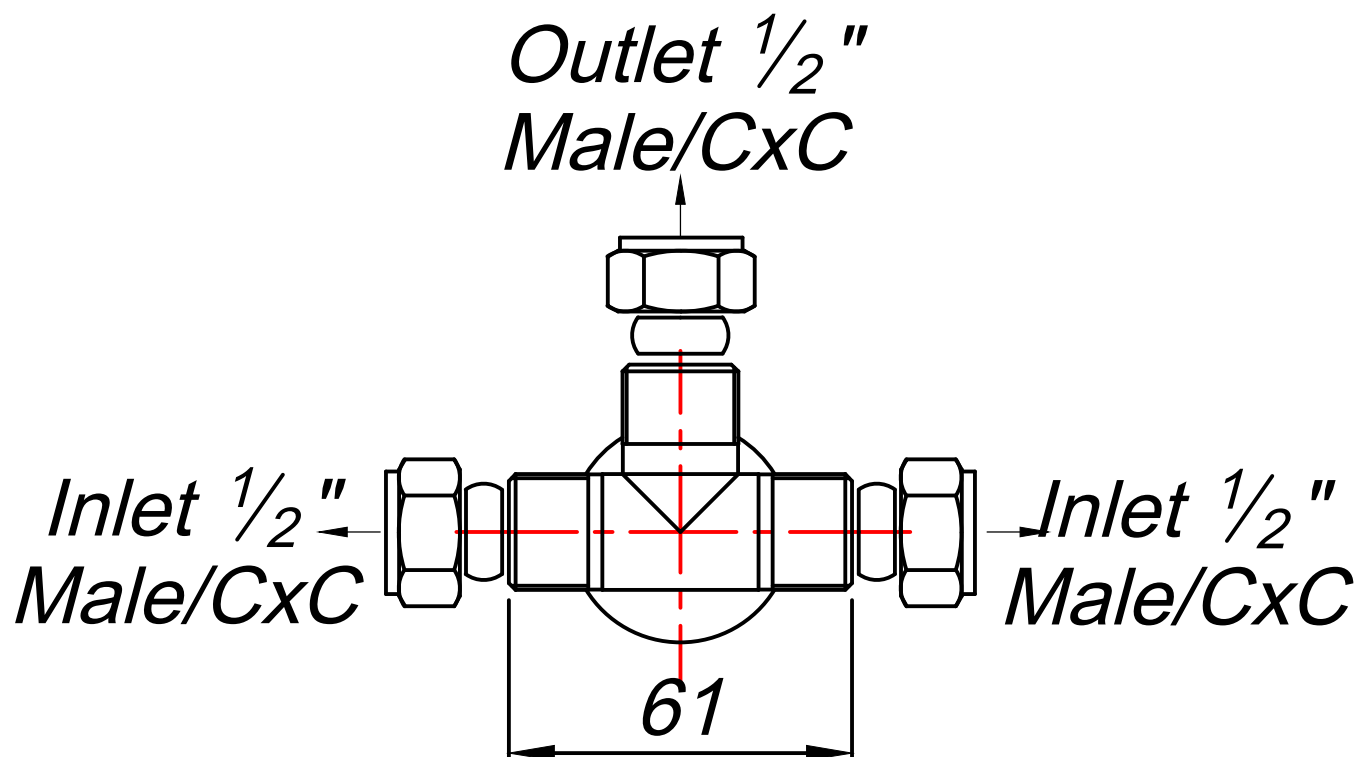
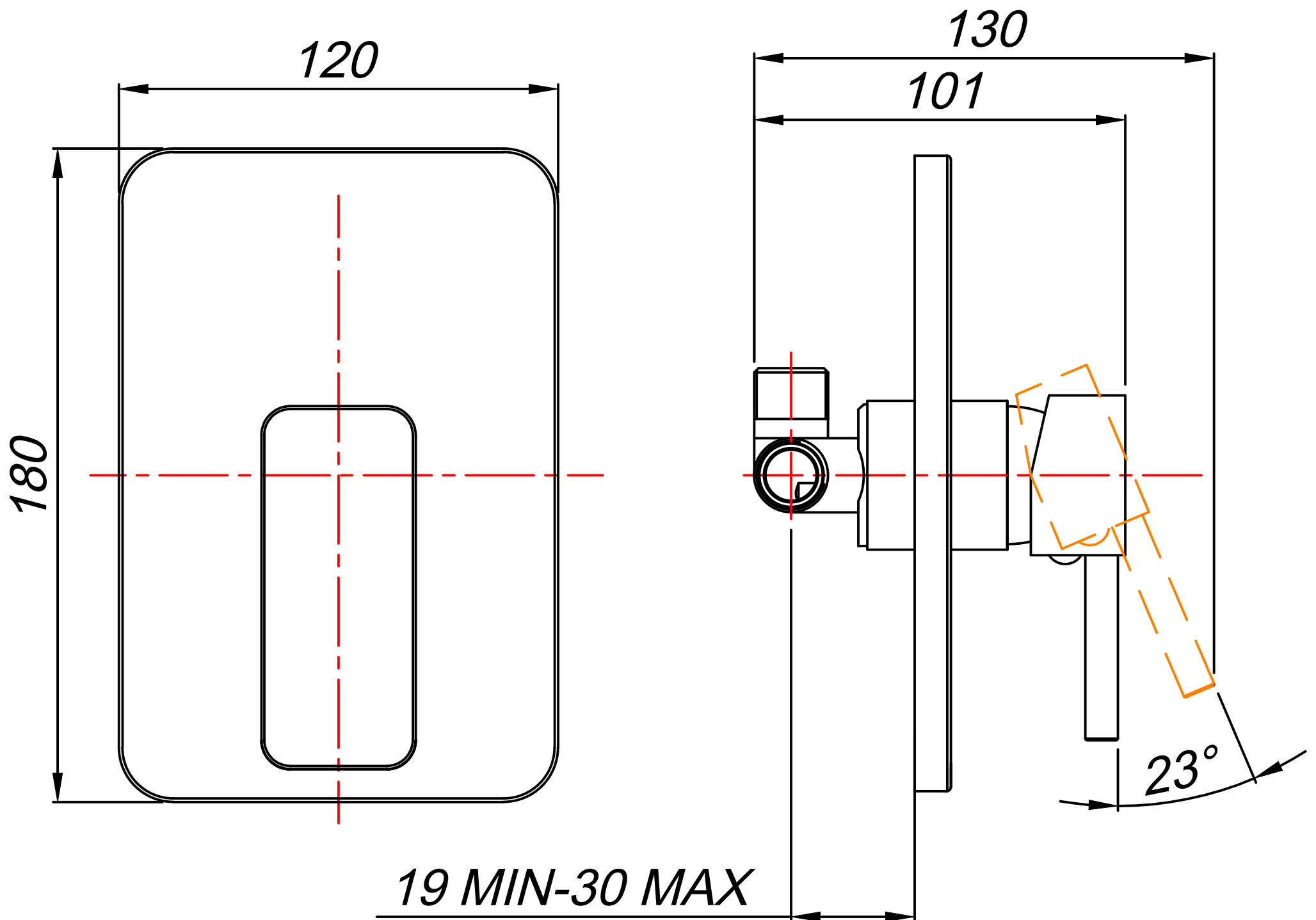


SH00000 Concealed Mixer

Water pressure requirement:

Recommended 300kPa

Balanced not exceeding 600 kPa



Only Use SABS Class 2or3 copper tube