

8502 PAPER HOLDER TYPE 2

8500 Series Premium Collection

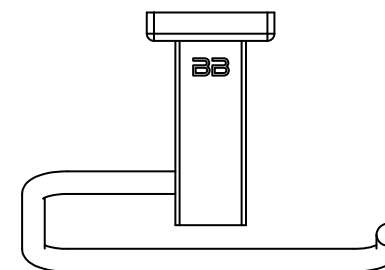
Wall Fixings Supplied:
Masonry



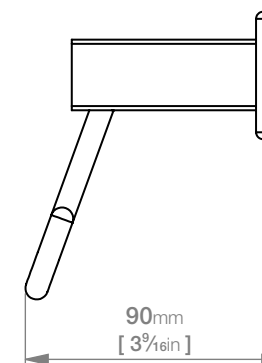
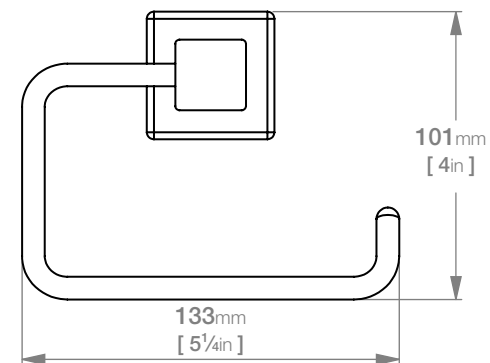
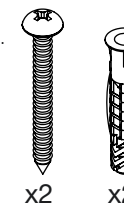
Code: 8502POLS
Finish: Polished
GRADE 304 Stainless Steel



Code: 8502BRSH
Finish: Brushed
GRADE 304 Stainless Steel



Original UX Fischer® Wall Plug supplied, phased in from June 2015.



Dimensions given are in **mm** and [**inches**].
Bathroom Butler® reserves the right to alter and/or remove designs from time to time without prior notice.
This drawing is to be used for reference purposes only. E &O.E.

Copyright Bathroom Butler® 2019



USA: 631.464.2851 • info@bathroombutler.com • www.bathroombutler.com
South Africa: 0860 104 653 • info@bathroombutler.co.za • www.bathroombutler.co.za
Australia: 1300 133 320 • sales@bathe.net.au • www.bathe.net.au
Mauritius: 230 242 1248 • sales@lisingroup.com • www.bathroombutler.com

Document version **2.3**
Product version **2.1**