

Croma Select E

Overhead shower 180 2jet

Surfaces: **Chrome** Article Number: **26524000**



Description

product features

- shower head size: 187 x 187 mm
- spray type: Rain, IntenseRain
- ball-joint: overhead shower angle adjustable
- maximum flow rate at 3 bar: 17 l/min
- flow rate Rain spray (at 3 bar): 17 l/min
- flow rate IntenseRain spray (at 3 bar): 16 l/min
- Minimum flow pressure: 1 bar
- Select button on overhead shower
- spray disc surface in two variants: chrome or white
- material spray disc: plastic
- spray disc removable for cleaning
- installation: ceiling or wall
- scope of supply: overhead shower, assembly instruction

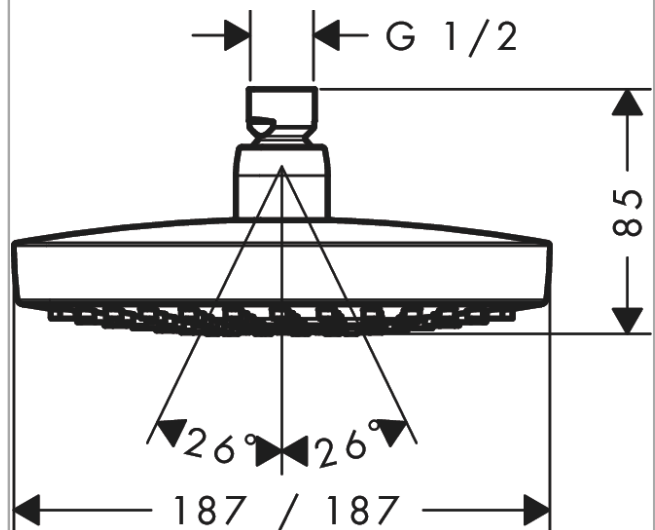
Technology



Product image



Scale drawing

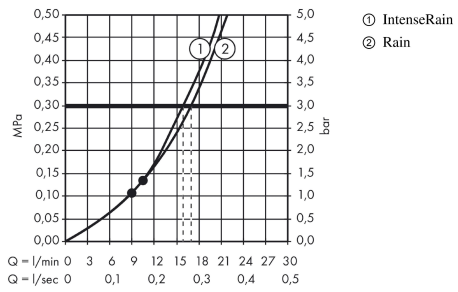


Croma Select E
Overhead shower 180 2jet

Surfaces: **Chrome** Article Number: **26524000**



Flowchart



The consumption was measured in combination with the appropriate fittings (thermostat/mixer/in-wall valve) to reflect actual application in practice.