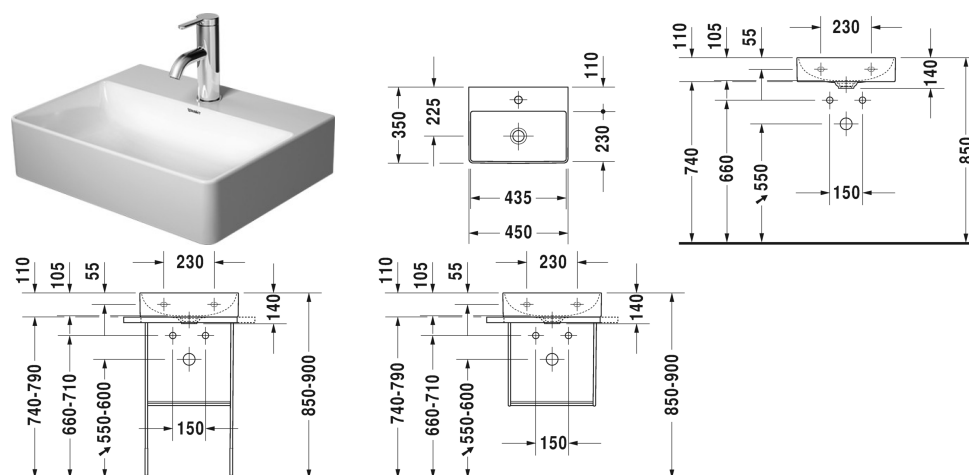


DuraSquare Handrinse basin, furniture handrinse basin #
0732450041 / 0732450070

| < 450 mm > |



Handrinse basin, furniture handrinse basin	Dimension	Weight	Order number
without overflow, with tap platform, ceramic covered slotted waste included, underneath glazed, 450 mm			
Colors			
00 White Alpin			
Variant			
●	450 x 350 mm	9.900 kilogram	0732450041
☒	450 x 350 mm	9.900 kilogram	0732450070
Infobox			
Metal console: Towel rail can be mounted right or left , Made from DuraCeram, Colours for glass inserts consistent with paint surfaces for furniture page XXX			
Sanitary ceramics with the special WonderGliss surface finish will remain clean and attractive-looking for a long time to come. When ordering WonderGliss please add a "1" as eleventh digit to the model number.			
Accessory			
Design Siphon		1.500 kilogram	005036
Suitable products			
Metal console standing ** height adjustable +50 mm, fixings included, for handrinse basin # 073245, Towel rail right/left, reversible, 516 x 333 mm	516 x 333 mm		003109
Metal console wall mounted ** fixings included, for handrinse basin # 073245, Towel rail right/left, reversible, 516 x 333 mm	516 x 333 mm		003110

DuraSquare Handrinse basin, furniture handrinse basin #
0732450041 / 0732450070

|< 450 mm >|

Glass inserts safety glass, for metal console # 003109, 003110, 420 x 264 mm
420 x 264 mm

009966

*All drawings contain the necessary measurements which are subject to standard tolerances. They are stated in mm and are non-binding.
Exact measurements, in particular for customised installation scenarios, can only be taken from the finished ceramic piece.*